

# Celebris GL-2

---

## System Reference

Part Number: ER-B97WW-UA. A01

**Digital Equipment Corporation**

**April 1997**

---

The information in this document is subject to change without notice and should not be construed as a commitment by Digital Equipment Corporation.

Digital Equipment Corporation assumes no responsibility for any errors that might appear in this document.

The software described in this document is furnished under a license and may be used or copied only in accordance with the terms of such license. No responsibility is assumed for the use or reliability of software or equipment that is not supplied by Digital Equipment Corporation or its affiliated companies.

Restricted Rights: Use, duplication, or disclosure by the U.S. Government is subject to restrictions as set forth in subparagraph (c) (1) (ii) of the Rights in Technical Data and Computer Software clause at DFARS 252.227-7013.

*Celebris GL-2 System Reference*

Copyright© Digital Equipment Corporation.

All Rights Reserved.

DEC, Celebris, and the Digital logo are registered trademarks of Digital Equipment Corporation

Intel and Pentium Pro are registered trademarks of Intel Corporation.

Microsoft, Windows 95, and Windows NT are registered trademarks of Microsoft Corporation.

SIMM is a registered trademark of Wang Laboratories.

All other trademarks and registered trademarks are the property of their respective holders.

## **FCC Notice**

This equipment has been tested and found to comply with the limits for a Class B digital device, pursuant to Part 15 of the FCC rules. These limits are designed to provide reasonable protection against harmful interference in a residential installation.

Any changes or modifications made to this equipment may void the user's authority to operate this equipment.

This equipment generates, uses, and can radiate radio frequency energy and, if not installed and used in accordance with the instructions, may cause harmful interference to radio communications. However, there is no guarantee that interference will not occur in a particular installation. If this equipment does cause harmful interference to radio or television reception, which can be determined by turning the equipment off and on, the user is encouraged to try to correct the interference by one or more of the following measures:

- Reorient or relocate the receiving antenna
- Increase the separation between the equipment and receiver
- Connect the equipment into an outlet on a circuit different from that to which the receiver is connected
- Consult the dealer or an experienced radio/TV technician for help

The user may find the following booklet prepared by the Federal Communications Commission helpful: How to Identify and Resolve Radio-TV Interference Problems. This booklet is available from the U.S. Government Printing Office, Washington, D.C., 20402. Stock No. 004-00398-5.

All external cables connecting to this basic unit need to be shielded. For cables connecting to option boards, see the option manual or installation instructions.

## **Canadian DOC Notice**

This digital apparatus does not exceed the Class B limits for radio noise emissions set out in the radio interference regulations of the Canadian Department of Communications.

## VCCI Notice

This equipment is in the 2nd Class category (information equipment to be used in a residential area or an adjacent area thereto) and conforms to the standards set by the Voluntary Control Council For Interference by Data Processing Equipment and Electronic Office Machines aimed at preventing radio interference in such residential area.

When used near a radio or TV receiver, it may become the cause of radio interference.

Read the instructions for correct handling.

## German Ergonomic Notice

This equipment meets or exceeds the ergonomic requirements of ZH1/618 and is certified to bear the GS mark by TUV Rheinland of Germany.

## Safety Requirements

This equipment meets or exceeds requirements for safety in the U.S. (UL 1950), Canada (CSA C22.2 No. 950), and Europe (EN 60950/IEC 950) with Nordic requirements.



**WARNING:** There is a danger of battery explosion if a lithium battery is incorrectly replaced. To prevent damage to your computer, be sure the + side faces up when installing a new battery. Also, be sure you replace the battery with either a Digital (P/N 12-41474-05), Toshiba (P/N CR2032), or equivalent 3 V dc lithium battery.

Depending on your locality, your computer's battery might be considered hazardous waste. Make sure you follow any state or local statute to properly dispose of the old battery.



**ADVARSEL:** Der er fare for, at et lithiumbatteri eksploderer, hvis det udskiftes ukorrekt. Undgå, at beskadige din computer - HUSK, at + siden skal vende opad, når du installerer et nyt batteri. Du skal udskifte batteriet med enten et Digital (delnummer 12-41474-05), Toshiba (delnummer CR2032), eller tilsvarende 3 V jævnstrøms lithiumbatteri.

Afhængig af dit lokalområde, er det muligt, at din computers batteri betragtes som farligt affald. Husk, at følge evt. miljølove og lokale bestemmelser, når du kasserer det gamle batteri.



**VAROITUS:** Litiumpatterit voivat räjähtää, jos ne asennetaan väärin. Estääksesi tietokoneesi vaurioitumisen varmista, että patteria asentaessasi sen positiivinen (+) puoli on ylöspäin. Tarkista myös, että käyttämäsi uusi patteri on joko Digital (osa no. 12-41474-05), Toshiba (osa no. CR2032) tai vastaavanlainen 3 voltin tasavirtalitiumpatteri.

Asuinpaikastasi riippuen tietokoneesi patteria voidaan pitää ongelmajätteenä. Pidä huoli, että hävität vanhan patterin voimassa olevien lakien ja asetusten mukaisesti.



**WARNING!** Det kan förekomma en batteriexplosion om ett litiumjonbatteri byts ut på felaktigt sätt. Förhindra att datorn skadas genom att se till att plussidan (+) är uppåtvänd när du sätter i ett nytt batteri. Det gamla batteriet får endast bytas ut mot ett Digital-batteri (artikelnummer 12-41454-05), ett Toshiba-batteri (artikelnummer CR2032) eller ett motsvarande litiumbatteri på 3 volt likström.

Datorbatterier anses vara miljöfarligt avfall i många länder. Du måste följa alla lokala bestämmelser när du avyttrar ett gammalt batteri.

## **Laser Safety Notices**

All CD-ROM drives included in Digital computers are classified as Class 1 laser products and comply with safety standards as set by U.S. government and applicable European agencies.

No hazardous radiation is emitted from this CD-ROM drive; the laser beam is completely enclosed in the CD-ROM subassembly during all customer operation and maintenance. In the event that repair or service of the CD-ROM subassembly is required, only authorized Digital service personnel should perform such repairs.

# Contents

## Preface

|  |      |
|--|------|
| Introduction .....                           | vii  |
| Related Material .....                       | vii  |
| Latest Product Information and Updates ..... | viii |
| Celebris GL-2 Computer .....                 | viii |
| Audience .....                               | ix   |
| Organization .....                           | x    |
| Conventions .....                            | xi   |
| Special Notices .....                        | xii  |

## 1

### Beyond Quick Setup

|   |      |
|---|------|
| Introduction .....                                    | 1-1  |
| Front Panel Controls and Indicators .....             | 1-2  |
| Rear Panel Connectors and Voltage Select Switch ..... | 1-4  |
| Removing your Computer's Outside Cover .....          | 1-6  |
| Replacing your Computer's Outside Cover .....         | 1-8  |
| Chassis Lockdown .....                                | 1-10 |
| Connecting Speakers .....                             | 1-12 |
| Connecting Headphones .....                           | 1-14 |
| Connecting a Microphone .....                         | 1-15 |
| Connecting a MIDI/Joystick Device .....               | 1-16 |
| Connecting a Local Printer .....                      | 1-18 |
| Connecting a Universal Serial Bus (USB) Device .....  | 1-20 |
| Your Computer's Windows Enhanced Keyboard .....       | 1-22 |
| Creating a Comfortable Working Environment .....      | 1-23 |

## 2

### Using the BIOS Setup Utility

|   |      |
|---|------|
| What is the BIOS Setup Utility? .....           | 2-1  |
| Accessing the BIOS Setup Utility .....          | 2-2  |
| Helpful Hints.....                              | 2-2  |
| Changing Your Computer's Configuration .....    | 2-4  |
| Changing Time and Date.....                     | 2-4  |
| Setting Up Security .....                       | 2-4  |
| Setting Supervisor and User Passwords.....      | 2-4  |
| Enabling Password On Boot .....                 | 2-6  |
| Eliminating User and Supervisor Passwords ..... | 2-6  |
| Protecting Against Boot Sector Viruses .....    | 2-7  |
| Other Security Options.....                     | 2-7  |
| Setting Power Management Options.....           | 2-9  |
| Setting up Power Management.....                | 2-9  |
| Configuring for New Disk Drives .....           | 2-10 |
| Diskette Drive Configuration.....               | 2-10 |
| Hard Disk Drive Configuration.....              | 2-11 |
| Autotyping a Hard Disk.....                     | 2-11 |
| Manually Defining a Hard Disk .....             | 2-11 |
| Changing the Boot Sequence.....                 | 2-12 |
| Speeding up the Boot Process .....              | 2-12 |
| Resetting Keyboard Features .....               | 2-14 |
| Changing the Keyboard Features .....            | 2-14 |
| Setting Your Computer's Volume Control.....     | 2-15 |
| Flash Utility .....                             | 2-16 |

## 3

### Inside Your Computer

|  |     |
|--|-----|
| Introduction.....                              | 3-1 |
| Improving Computer Performance .....           | 3-1 |
| Preparing Your Computer for Expansion.....     | 3-2 |
| Your Computer's Components and Connectors..... | 3-2 |
| Computer Components .....                      | 3-2 |
| Main Logic Board Components .....              | 3-4 |
| Main Logic Board Connectors (Rear Panel) ..... | 3-6 |
| Main Logic Board Connectors .....              | 3-7 |



|   |      |
|---|------|
| Backplane Components and Connectors .....       | 3-8  |
| Network Adapter Card Connector .....            | 3-10 |
| Audio/MIDI Adapter Card Connectors .....        | 3-12 |
| Removing the Main Logic Board.....              | 3-14 |
| Replacing the Main Logic Board .....            | 3-14 |
| Replacing the Lithium Battery .....             | 3-16 |
| Installing a Higher Performance Processor ..... | 3-18 |

## 4

### Main Logic Board Expansion

|   |      |
|---|------|
| Introduction .....  | 4-1  |
| Installing Additional Computer Memory .....                   | 4-2  |
| EDO Memory .....  | 4-2  |
| ECC Memory Support (Fast-Page DRAM) .....                     | 4-2  |
| Adding EDO SIMMs.....   | 4-4  |
| Memory Configurations (EDO).....                              | 4-5  |
| Adding Fast-Page Parity SIMMs.....                            | 4-6  |
| Memory Configurations (Fast-Page Parity) .....                | 4-7  |
| Installing a SIMM.....  | 4-8  |
| Installing an Optional Video Memory (WRAM) Daughter Card..... | 4-10 |

## 5

### Adding Expansion Boards

|                                  |     |
|----------------------------------|-----|
| Introduction .....               | 5-1 |
| Expansion Slots .....            | 5-1 |
| Installing Expansion Boards..... | 5-4 |
| Removing Expansion Boards .....  | 5-6 |

## 6

### Adding Mass Storage Devices

|   |     |
|---|-----|
| Introduction .....  | 6-1 |
| Installing Mass Storage Devices.....                      | 6-3 |
| Removing the Front Bezel.....                             | 6-4 |
| Installing a 3½-Inch Device into a Front Device Bay ..... | 6-6 |
| Installing a 5¼-Inch Device Into a Front Device Bay.....  | 6-8 |

## Contents

|   |      |
|---|------|
| Installing an Internal 3½-Inch Device ..... | 6-10 |
| Connecting Diskette and IDE Devices .....   | 6-13 |
| Adding SCSI Devices .....                   | 6-16 |

## A

### Technical Specifications

|   |      |
|---|------|
| Introduction .....                                | A-1  |
| Computer Specifications .....                     | A-1  |
| Features .....                                    | A-2  |
| Performance Specifications .....                  | A-2  |
| Computer Dimensions .....                         | A-3  |
| Shipping/Packaging Dimensions .....               | A-3  |
| Environmental Specifications .....                | A-3  |
| ISA Expansion Slots .....                         | A-4  |
| PCI Local Bus Expansion Slots .....               | A-4  |
| System Input Power Requirements .....             | A-4  |
| Power Supply Requirements .....                   | A-5  |
| Current Requirements .....                        | A-5  |
| Power Cord Requirements .....                     | A-6  |
| Main Logic Board Jumper and Switch Settings ..... | A-7  |
| Processor Clock Speed Switch Settings .....       | A-10 |
| If You Forget Your Password .....                 | A-12 |

## B

### Device Mapping

|   |     |
|---|-----|
| Introduction .....                            | B-1 |
| Full Range Processor Memory Address Map ..... | B-2 |
| I/O Address Map .....                         | B-3 |
| Computer Interrupt Levels .....               | B-5 |
| DMA Channel Assignment .....                  | B-6 |

## C

### Video Output Information

|                              |     |
|------------------------------|-----|
| Introduction .....           | C-1 |
| Video Resolution Modes ..... | C-2 |

## Figures

|   |      |
|---|------|
| Typical <i>Celebris GL-2</i> Computer .....                             | ix   |
| 1-1. Front Panel Controls and Indicators .....                          | 1-3  |
| 1-2. Rear Panel Connectors and Voltage Select Switch.....               | 1-5  |
| 1-3. Removing the Outside Cover .....                                   | 1-7  |
| 1-4. Replacing the Outside Cover.....                                   | 1-9  |
| 1-5. Attaching the Hasp .....   | 1-11 |
| 1-6. Connecting Speakers .....  | 1-13 |
| 1-7. Connecting Headphones.....   | 1-14 |
| 1-8. Connecting a Microphone.....                                       | 1-15 |
| 1-9. Connecting a MIDI/Joystick Device .....                            | 1-17 |
| 1-10. Connecting a Printer.....   | 1-19 |
| 1-11. Connecting a USB Device .....                                     | 1-21 |
| 1-12. Windows Enhanced Keyboard .....                                   | 1-22 |
| 1-13. Creating a Comfortable Working Environment.....                   | 1-25 |
| 3-1. Computer Components .....  | 3-3  |
| 3-2. Main Logic Board Components .....                                  | 3-5  |
| 3-3. Main Logic Board Components (Rear Panel).....                      | 3-6  |
| 3-4. Main Logic Board Connectors .....                                  | 3-7  |
| 3-5. Backplane Components and Connectors.....                           | 3-9  |
| 3-6. Network Adapter Card Connector .....                               | 3-11 |
| 3-7. Audio/MIDI Adapter Card Connectors.....                            | 3-13 |
| 3-8. Removing the Main Logic Board .....                                | 3-15 |
| 3-9. Replacing the Battery .....  | 3-17 |
| 3-10. Releasing the Installed Processor .....                           | 3-20 |
| 3-11. Removing the Bracket and Termination Card .....                   | 3-21 |
| 3-12. Attaching the New Processor .....                                 | 3-22 |
| 3-13. Installing Both Processors .....                                  | 3-23 |
| 4-1. SIMM Socket Locations.....   | 4-3  |
| 4-2. Installing a SIMM.....   | 4-9  |
| 4-3. Video Memory (WRAM) Daughter Card Installation.....                | 4-11 |
| 5-1. Expansion Board Slots .....  | 5-3  |
| 5-2. Removing a Metal Filler Plate.....                                 | 5-5  |
| 5-3. Installing an Expansion Board .....                                | 5-6  |
| 6-1. Removing the Front Bezel.....                                      | 6-5  |
| 6-2. Installing Drive Rail and 3½-Inch Device Brackets .....            | 6-6  |
| 6-3. Installing a 3½-Inch Device.....                                   | 6-7  |
| 6-4. Installing 5¼-Inch Device.....                                     | 6-9  |
| 6-5. Accessing the Internal 3½-Inch Device Bay .....                    | 6-11 |
| 6-6. Attaching a 3½-Inch Device to the Internal 3½-inch Device Bay..... | 6-12 |

## Contents

|  |      |
|--|------|
| 6-7. Diskette Device Data Cable Connections..... | 6-14 |
| 6-8. IDE Device Data Cable Connections.....      | 6-15 |
| 6-9. SCSI Device Data Cable Connections .....    | 6-19 |
| A-1. Main Logic Board Switch Locations .....     | A-11 |

# Preface *P*

---

## Introduction

This guide describes how to operate, configure, and upgrade Celebris GL-2 computers. The information presented will help to familiarize you with all aspects of your computer and provide a reference tool for questions you might have in the future.

## Related Material

A *Quick Setup* guide is available as a supplement to this *System Reference* guide. This guide describes how to initially setup your computer.

A *Digital PC Systems Solutions* manual is available to help you troubleshoot your computer should it fail to operate after initial setup or after installing optional devices.

A *System Software* manual provides information on the operating system, utilities, and device drivers that came with your computer. Your computer also came with a CD-ROM disk that can be used to restore your system software. Refer to the CD-INFO.TXT file on the CD-ROM disk for installation and configuration information.

A *Warranty and Service Information* booklet is supplied with your computer. This booklet provides warranty information and a listing of phone numbers for technical support.

README files come with the factory installed software and on the supplied CD-ROM disk. This information can help you setup, configure, and operate your computer. Digital recommends that you read this information first.

Windows 95 or Windows NT Workstation documentation is provided as an on-line help file and in printed form.

## **Latest Product Information and Updates**

You can access product information and download the latest BIOS, device drivers, and software updates using the Internet at:

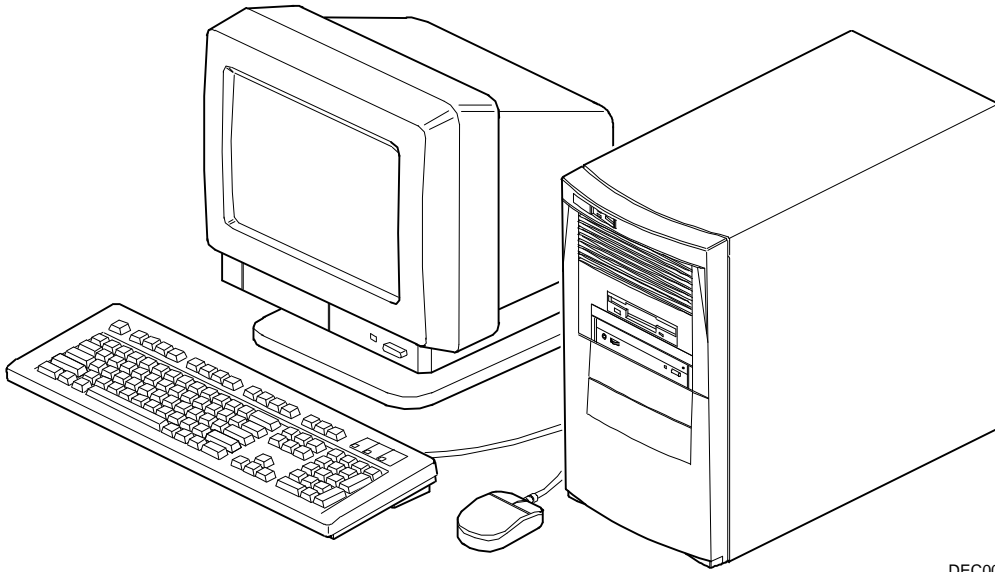
**<http://www.windows.digital.com>**

You can also access software updates through Digital's Bulletin Board Service (BBS) by calling:

**In the United States: (508) 496-8800**

## **Celebris GL-2 Computer**

Your Celebris GL-2 computer offers a 233 or 266 MHz Pentium® II processor with 32 KB level 1 and 512 KB level 2 on-chip cache, up to 256 MB of EDO memory (via eight SIMM sockets), integrated 2D/3D graphics accelerator with 2 MB of WRAM, 16-bit stereo-quality audio, and an integrated 32-bit PCI Ethernet controller (10/100Base-T ready). SCSI-based configurations are also available.



DEC00746-2

### **Typical *Celebris GL-2* Computer**

## **Audience**

This guide is written specifically for anyone responsible for configuring and expanding a Celebris GL-2 computer.

## Organization

This guide contains the following:

- Chapter 1: *Beyond Quick Setup*— This chapter describes your computer's front and rear panel components, indicators, and connectors. This chapter also explains how to physically secure your computer to a desk or table, connect optional external devices (such as headphones, microphone, printer, etc.), use your computer's Windows enhanced keyboard, and create a comfortable working environment.
- Chapter 2: *Using the BIOS Setup Utility*—This chapter provides task-based information on how to configure your computer using the BIOS Setup utility.
- Chapter 3: *Inside Your Computer*—This chapter provides internal computer component descriptions and locations as well as how to remove the main logic board, replace the battery, and upgrade to a higher-performance processor.
- Chapter 4: *Main Logic Board Expansion*—This chapter explains how to install additional computer memory and an optional video memory (VRAM) daughter card.
- Chapter 5: *Adding Expansion Boards*—This chapter explains how to install ISA and PCI expansion boards.
- Chapter 6: *Adding Mass Storage Devices*—This chapter explains how to install and connect optional mass storage devices.
- Appendix A: *Technical Specifications*—This appendix lists vital computer operating and performance specifications. Also included is information about your computer's jumper and switch settings.
- Appendix B: *Device Mapping*—This appendix contains tables listing the main logic board's memory map, I/O address map, interrupt map, and DMA map.
- Appendix C: *Video Output Information*—This appendix describes the video modes supported by your Celebris GL-2 computer's video circuitry.



## Conventions

| <b>Convention Example</b>   | <b>Description</b>   |
|-----------------------------|--|
| <i>Quick Setup</i>          | Italics are typically used for titles, comments, and references to other sections of this document or other documents.         |
| <code>c:\windows&gt;</code> | Monospaced text indicates information that your computer or software displays. For example, a directory path or error message. |
| <code>SCU.BAT</code>        | Monospaced text can also indicate a command that you need to enter to run an application or utility.                           |
| [Enter]                     | Square brackets surrounding text represents a keyboard key.  |
| [Ctrl]+[Alt]+[Del]          | A plus sign indicates that the keys shown should be pressed at the same time.  |

## Special Notices

Three kinds of special notices are used in this *System Reference* guide to emphasize specific information.



**WARNING:** indicates the presence of a hazard that can cause personal injury if the hazard is not avoided.



**CAUTION:** indicates the presence of a hazard that might cause damage to hardware or that might corrupt software.



**SHOCK OR STATIC SENSITIVE:** indicates the presence of a hazard that might cause personal injury due to a shock or static discharge damage to hardware.



**NOTES:** are used to provide additional information.

# Beyond Quick Setup *1*

---

## Introduction

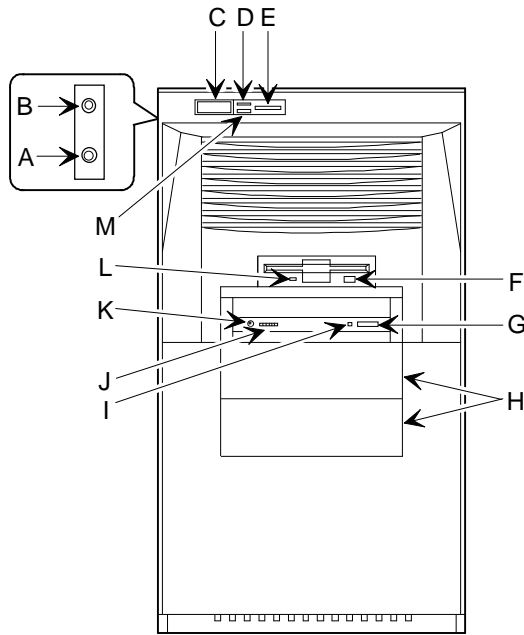
This chapter describes your computer's front and rear panel components, indicators, and connectors. This chapter also explains how to physically secure your computer to a desk or table, connect optional external devices (such as headphones, microphone, printer, etc.), use your computer's Windows enhanced keyboard, and create a comfortable working environment.

## Front Panel Controls and Indicators

| Figure Legend | Control or Indicator                   | Function   |
|---------------|--|--|
| A             | Headphone jack <sup>(1)</sup>          | This jack enables you to connect standard stereo headphones to your computer.  |
| B             | Microphone jack <sup>(1)</sup>         | This jack enables you to connect a standard microphone to your computer.   |
| C             | On/off switch                          | Turns your computer's power on and off.  |
| D             | Power LED                              | Lights when your computer is turned on.  |
| E             | Reset switch                           | Resets your computer and causes POST to run.   |
| F             | Diskette eject button                  | Releases a 3½-inch diskette from the diskette drive.   |
| G             | CD-ROM eject button <sup>(1) (2)</sup> | Pressing this button opens and closes the CD-ROM drive cavity so you can insert or remove CD-ROM disks from the drive.   |
| H             | Drive bay(s)                           | Enables you to add additional mass storage device(s) to your computer.   |
| I             | CD-ROM activity light <sup>(1)</sup>   | This LED lights during power up and when accessing the CD-ROM disk.  |
| J             | CD-ROM volume dial <sup>(1)</sup>      | This dial enables you to control the volume of the CD-ROM headphone audio output from your CD-ROM drive. Volume decreases as the dial is turned to the left, and increases as it is turned to the right. |
| K             | CD-ROM headphone jack <sup>(1)</sup>   | This jack enables you to connect standard stereo headphones so you can listen to audio output from your CD-ROM drive.  |
| L             | Diskette activity LED                  | Lights when the diskette drive is in use.  |
| M             | Hard disk drive activity LED           | Lights when your hard disk drive is in use.  |

(1) Not available on all models

(2) Your CD-ROM drive might look different than the one shown



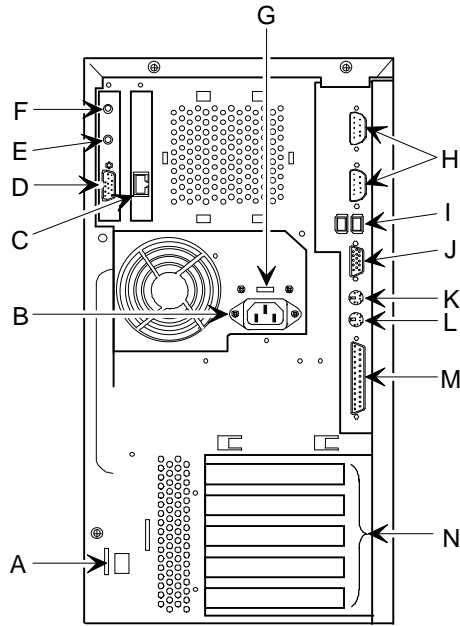
DEC02004

**Figure 1-1. Front Panel Controls and Indicators**

## Rear Panel Connectors and Voltage Select Switch

| Figure Legend | Connector or Switch                               | Function   |
|---------------|---|--|
| A             | Chassis lockdown                                  | Enables you to physically anchor your computer to a fixed location.  |
| B             | ac line connector                                 | Enables you to connect your computer to an ac power source.  |
| C             | 10/100Base-T port (RJ45 connector) <sup>(1)</sup> | Enables you to connect to a 10/100Base-T (Twisted-Pair) network.   |
| D             | MIDI/joystick port <sup>(1)</sup>                 | Enables you to connect a MIDI/joystick device to your computer.  |
| E             | Speaker out <sup>(1)</sup>                        | This jack enables you to connect a set of speakers to your computer.   |
| F             | Line in <sup>(1)</sup>                            | This jack enables you to connect an audio device to your computer.   |
| G             | Voltage select switch                             | Enables you to select 115 V ac input power or 230 V ac input power.  |
| H             | Serial port connectors                            | Enables you to connect serial devices.   |
| I             | USB ports <sup>(1)</sup>                          | Enables you to connect Universal Serial Bus (USB) devices.   |
| J             | Video port (VGA connector)                        | Enables you to connect a high-resolution monitor to your computer.   |
| K             | Mouse connector                                   | Enables you to connect a PS/2 style mouse.   |
| L             | Keyboard connector                                | Enables you to connect a 104-key keyboard.   |
| M             | Parallel port connector                           | Enables you to connect a standard, Enhanced Parallel Port (EPP), or Enhanced Capabilities Port (ECP) parallel printer. |
| N             | Expansion board slots                             | Enables you to install additional ISA and PCI expansion boards.  |

<sup>(1)</sup> Not available on all models



DEC02005

**Figure 1-2. Rear Panel Connectors and Voltage Select Switch**

## Removing your Computer's Outside Cover

To remove your computer's outside cover:

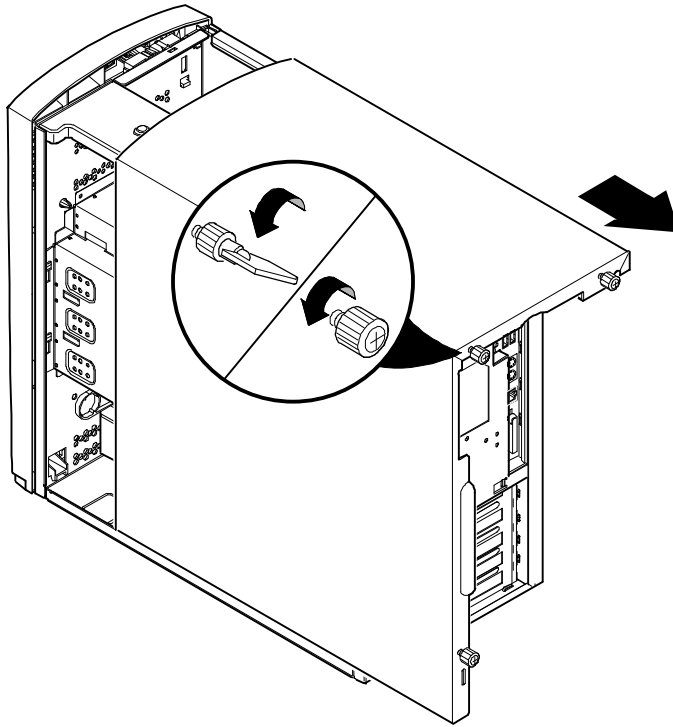
1. Turn off power to all external devices connected to your computer.
2. Turn your computer off.
3. Unplug your computer and monitor power cord from the wall outlet.
4. For computer's without a chassis lock, go to step 4a. For computers with a chassis lock, go to step 4b.
  - a. Release the outside cover by loosening the rear-panel thumbscrews.
  - b. Unlock the outside cover by inserting the key and turning it counter clockwise. Loosen the other two rear-panel thumbscrews.
5. Slide the outside cover backwards and then carefully lift it away from the chassis.



**CAUTION:** Static electricity collects on non-conductors such as paper, cloth, or plastic. A static discharge can be damaging even though you often cannot see or feel it. To prevent damage to circuit boards and/or components:

- Before touching any circuit board or component, touch the metal frame of your computer to discharge any static electricity.
- Keep circuit boards and components away from non-conductors.





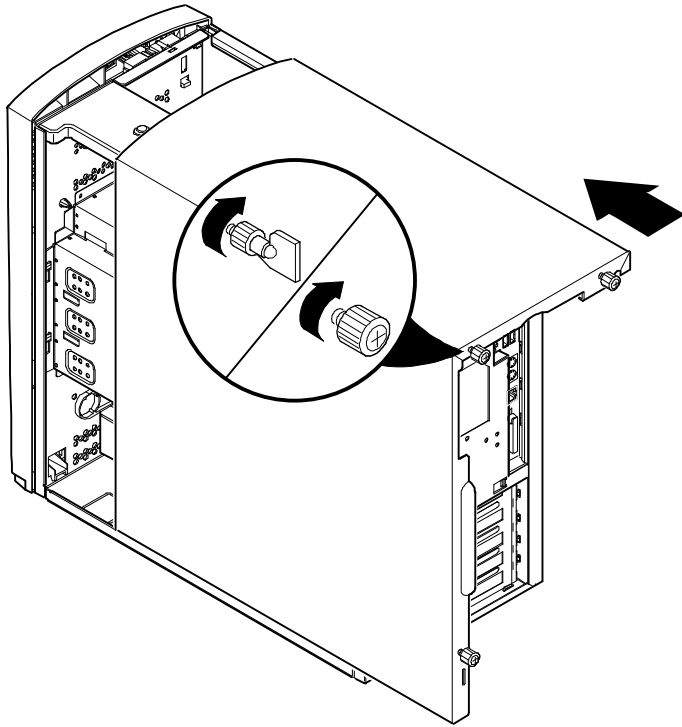
DEC02006-2

**Figure 1-3. Removing the Outside Cover**

## Replacing your Computer's Outside Cover

To replace the outside cover:

1. Replace the outside cover by sliding it onto the chassis.
2. For computer's without a chassis lock, go to step 2a. For computers with a chassis lock, go to step 2b.
  - a. Secure the outside cover to the chassis using the rear panel thumbscrews.
  - b. Secure the outside cover to the chassis by inserting the key and turning it clockwise. Tighten the other two rear-panel thumbscrews.



DEC02006-3

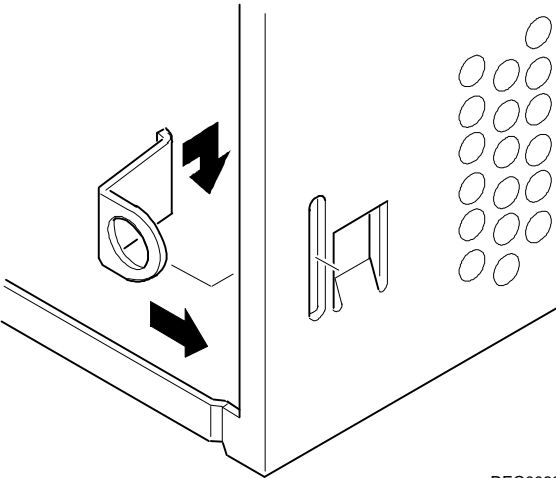
**Figure 1-4. Replacing the Outside Cover**

## Chassis Lockdown

A chassis lockdown hasp is secured to the side of the chassis at the lower-left rear of the chassis. When locked, this hasp prevents others from opening and removing the computer's outside cover. Using a chain or cable lock, you can also secure your computer to your desk or table.

To secure your computer:

1. Turn off power to all external devices connected to computer.
2. Turn your computer off.
3. Unplug the computer power cord from the wall outlet.
4. Disconnect the power cord from your computer.
5. Remove the outside cover.
6. Insert the hasp tab and pull it through the rear panel of the chassis.
7. Slide the foot of the hasp behind the rear panel tongue and seat the foot securely.
8. Replace the outside cover, carefully sliding the left, rear-edge slot over the hasp.
9. Connect the power cord to the computer and to a wall outlet.
10. Turn on all external devices and then turn on your computer.



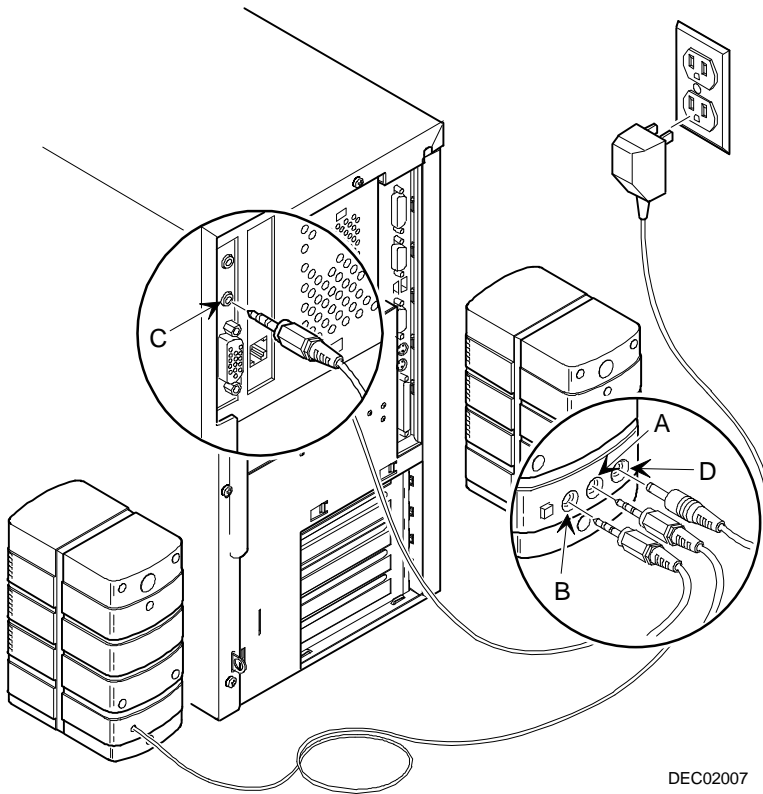
DEC00881

**Figure 1-5. Attaching the Hasp**

## Connecting Speakers

If your computer came with an audio card and you purchased speakers, perform the following instructions to connect them:

1. Unpack the speakers.
2. Plug the slave speaker cable into the master speaker “Speaker Output” (A, Figure 1-6).
3. Connect the other cable to the master speaker “Audio Input” (B, Figure 1-6) and to the adapter card “Speaker Out” (C, Figure 1-6).
4. Connect the ac-to-dc adapter cord to the master speaker (D, Figure 1-6).
5. Plug the speaker ac-to-dc adapter into a power outlet.



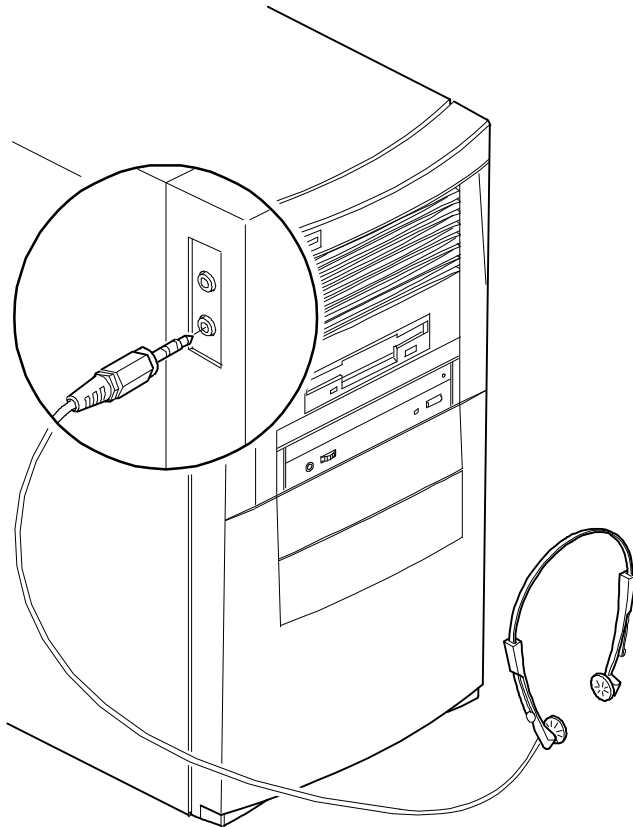
DEC02007

**Figure 1-6. Connecting Speakers**

## Connecting Headphones

If your computer came with integrated audio capabilities and you purchased headphones, perform the following instructions to connect them:

1. Unpack the headphones.
2. Connect the headphones cable into the connector at the left of your computer.



DEC02016-2

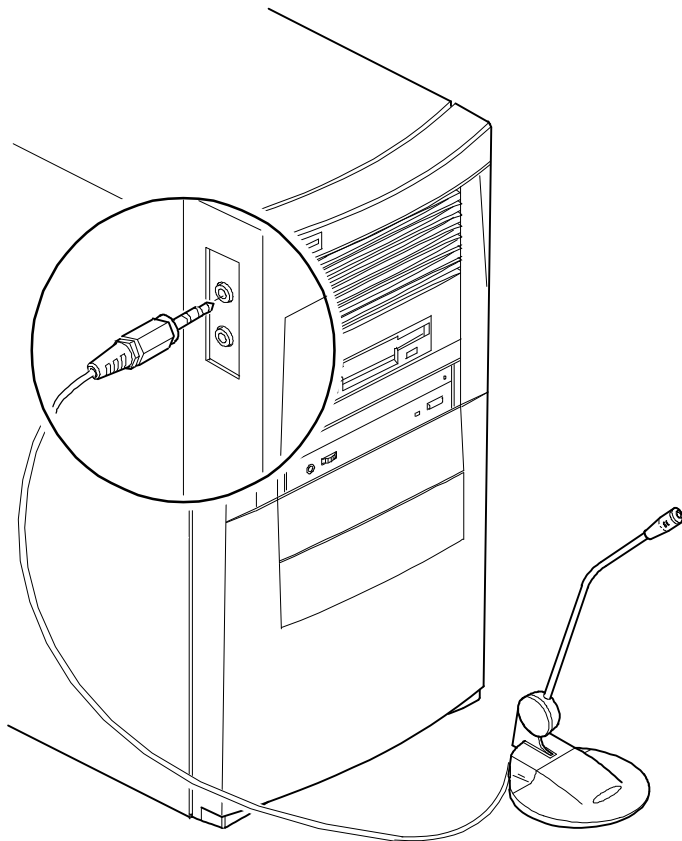
**Figure 1-7. Connecting Headphones**



## Connecting a Microphone

If your computer came with integrated audio capabilities and you purchased a microphone, perform the following instructions to connect it:

1. Unpack the microphone and assemble the base.
2. Connect the microphone cable into the connector at the left/front of your computer.



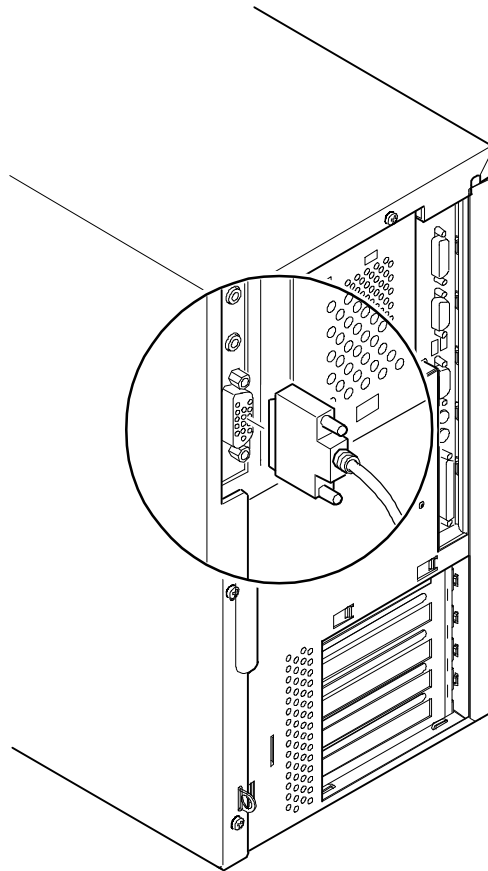
DEC02016-3

**Figure 1-8. Connecting a Microphone**

## Connecting a MIDI/Joystick Device

If your computer came with integrated audio capabilities and you purchased a MIDI/joystick device, perform the following instructions to connect it:

1. Unpack the MIDI/joystick device.
2. Connect the MIDI/joystick device cable into the MIDI port connector on the adapter card.



DEC02017-2

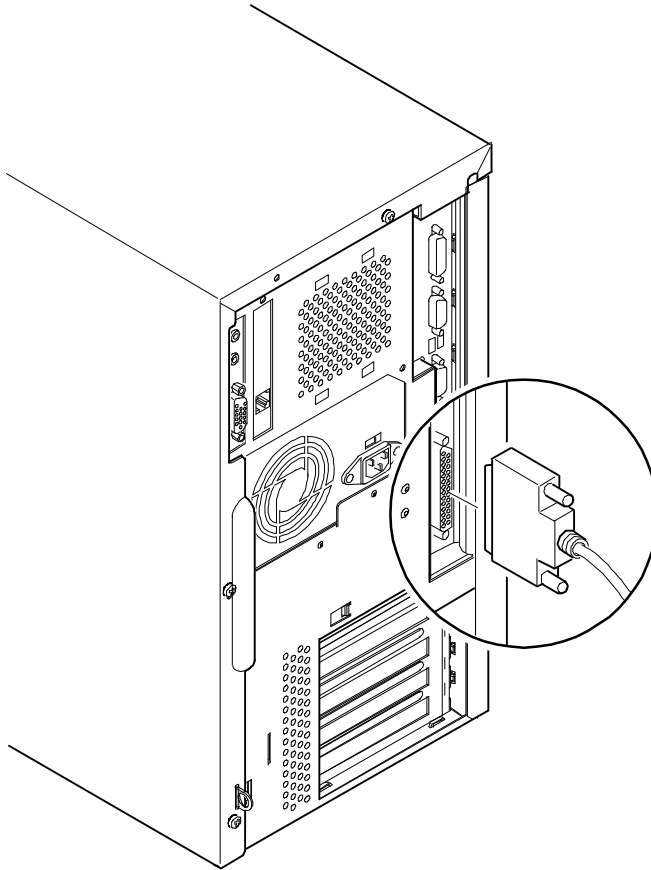
**Figure 1-9. Connecting a MIDI/Joystick Device**

## Connecting a Local Printer

Perform the following steps to connect a local printer to your computer:

1. Look over your printer documentation and perform any pre-installation instructions before attempting to connect it to your computer.
2. Make sure your printer and computer are turned off.
3. Plug the printer cable into the appropriate printer port (the parallel port for a parallel printer and a serial port for a serial printer).
4. Turn on your computer and then turn on your printer.
5. Configure your printer for operation with your computer.

*Refer to your Windows 95 or Windows NT Workstation on-line help and printed documentation for instructions on installing your printer's device driver.*



DEC02017-3

**Figure 1-10. Connecting a Printer**

## Connecting a Universal Serial Bus (USB) Device

USB simplifies connectivity requirements for plug and play external devices by consolidating ports and eliminating the need to open the computer to plug in expansion boards.

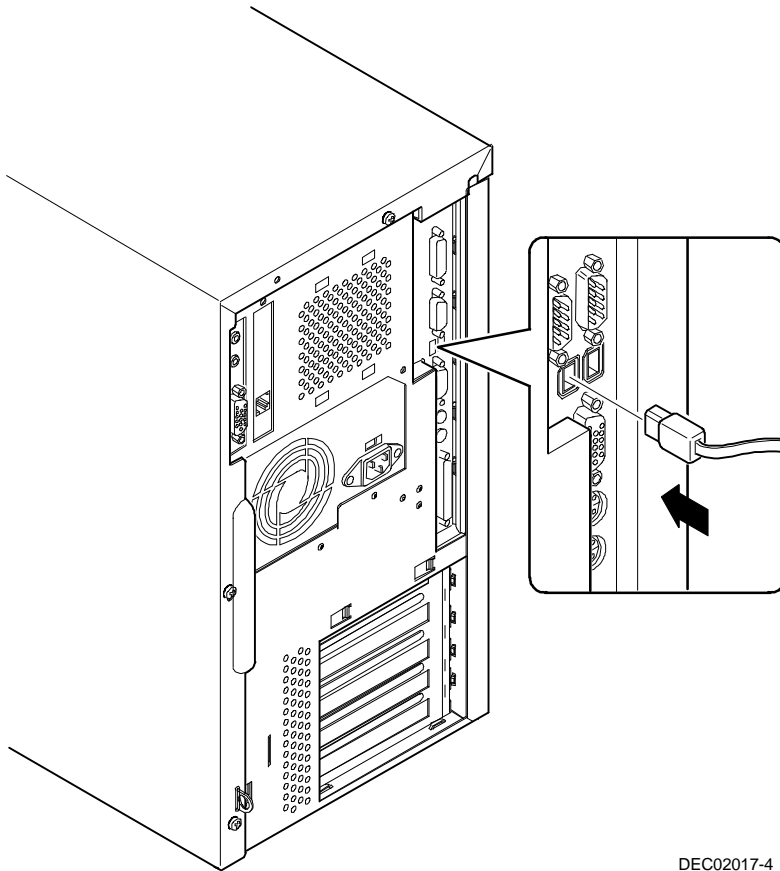


**NOTE:** Because Universal Serial Bus (USB) devices are not readily available yet, this option is not supported in your current BIOS that is installed in your computer. Once USB devices become available, Digital Equipment Corporation will make available the BIOS upgrades and USB drivers to support USB devices. Contact your Digital Equipment Corporation Technical Support Representative to determine if the USB supported BIOS and drivers are available.

If you purchased a USB device for your computer, perform the following instructions to connect it:

1. Unpack the USB device.
2. Connect the USB device cable into one of the USB port connectors at the rear of your computer.

*Refer to your manufacturer's documentation for installation instructions.*



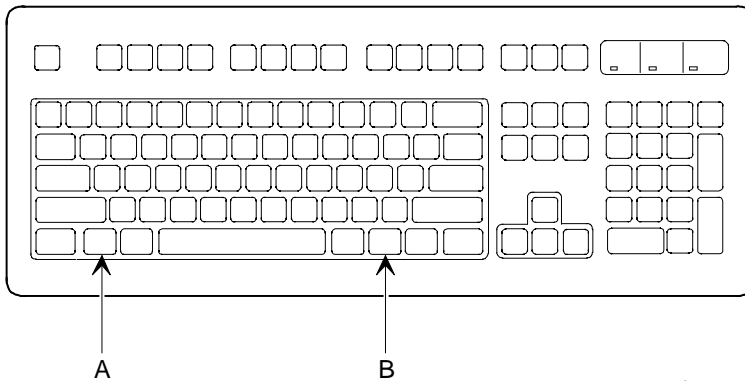
DEC02017-4

**Figure 1-11. Connecting a USB Device**

## Your Computer's Windows Enhanced Keyboard

Your computer comes equipped with a 104-key Windows enhanced keyboard that enables you to communicate with your computer by entering data or commands.

The right and left Windows keys (A and B, Figure 1-12) bring up the Start menu much like pointing and clicking the left mouse button on the Start button. These keys can be used at any time you are in the Windows shell and do not affect or change the current mouse position. Both keys can be used to modify other keys. The operating system controls the functionality of the Windows keys and only shell applications should implement these keys.



DEC00986-2

**Figure 1-12. Windows Enhanced Keyboard**



## Creating a Comfortable Working Environment

Under circumstances of poor posture or poor setup, certain recent scientific articles suggest that injuries may occur. Other articles suggest that there is no cause and effect. Because the safety of our users is a great concern, it is important to take these precautions:

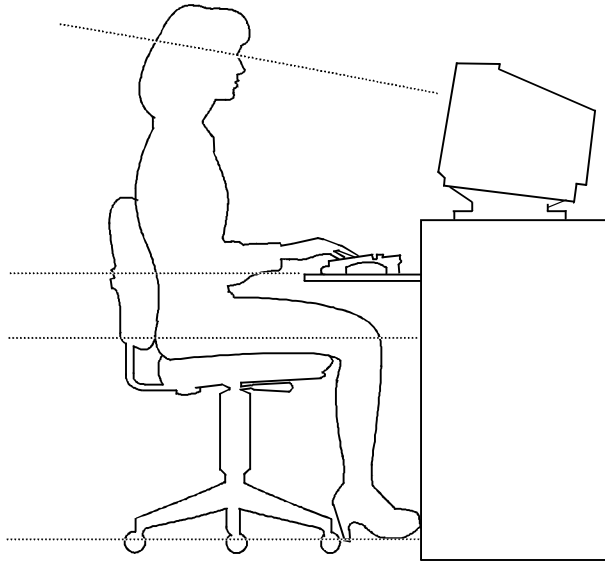
- Be comfortable in your work space.
- Change your posture frequently.
- Proceed according to the recommendations in the following table and figure.

| <b>Adjust</b>     | <b>So . . .</b>  |
|-------------------|--|
| Chair             | <p>Feet are flat on the floor.</p> <p>Legs are vertical forming a right angle to the floor.</p> <p>Your weight is off your thighs and they are horizontal. Keep the back of your knees away from the seat so you do not compress the area behind them, which could restrict the blood flow.</p> <p>Your upper body is erect and your lower back is supported with a backrest.</p>  |
| Keyboard or mouse | <p>Your wrists are straight and do not bend more than 15 degrees. They may be supported when resting but not on sharp edges. Type comfortably, with no more key pressure than needed to feel the contact point.</p> <p>Upper arms are straight down at your sides, elbows are close to your sides and support your arm weight. Forearms are at a 70 degree to 90 degree angle.</p> <p>If you use a mouse, rest your hand on the mouse so your wrist is not on the work surface. Operate the mouse close to your body's centerline.</p> |
| Head              | <p>Avoid neck strain. Your head should incline downward, but no more than 15 to 20 degrees.</p>  |

## Beyond Quick Setup

| <b>Adjust</b>         | <b>So . . .</b>   |
|-----------------------|---|
| Monitor               | <p>No higher than the level of your eyes and at the correct distance for your vision.</p> <p>Avoid eye fatigue, which can be caused by glare, image quality, uncomfortable furniture, eye height, and uncorrected vision. If you cannot focus to read at different distances, you may need special glasses. Relax your eyes periodically by looking at distant objects.</p> |
| Work breaks           | <p>Take periodic work breaks. Morning, lunch, and afternoon breaks during the 8-hour workday meet most recommendations. Take advantage of work breaks to move around and do other activities.</p>   |
| Lighting              | <p>Avoid direct lighting or sunlight on the screen, which causes glare and reflections. Place lighting behind or to the side of your work area, and distribute the lighting evenly on your work area.</p> <p>Your computer monitor's screen has an antiglare treatment to reduce glare. Adjust the brightness and contrast controls as needed.</p>                          |
| Noise                 | <p>Keep background noise at a minimum. Background noise above 65 dBA is tiring. Sound-absorbing materials (curtains, carpeting, and acoustic tile) can help reduce background noise.</p>  |
| Temperature           | <p>20 to 23 degrees C (68 to 74 degrees F).</p>   |
| Humidity              | <p>30% to 70%.</p>  |
| Ventilation           | <p>Provide adequate air ventilation to avoid fatigue and to operate the equipment.</p>  |
| Space between set ups | <p>&gt; 70 cm (28 in.) center to center, preferably<br/>&gt; 152 cm (60 in.).</p>   |

**IMPORTANT:** If you experience pain or discomfort during use of the PC, take a rest break and review the instructions for proper ergonomic setup and use. If the pain or discomfort continues after resuming use of the PC, discontinue use and report the condition to your job supervisor or physician.



DEC00454

**Figure 1-13. Creating a Comfortable Working Environment**

# Using the BIOS Setup Utility **2**

---

## What is the BIOS Setup Utility?

The BIOS Setup utility enables you to select and store permanently information about your computer's hardware and software in the battery-backed memory of the CMOS RAM. This information takes effect each time the computer boots and can be changed any time you run setup.

You should use the BIOS Setup utility if you experience problems with your hard disk or if you need to reconfigure or expand your computer.

This chapter provides information on how to configure your computer using the BIOS Setup utility.



**CAUTION:** Your computer was setup for normal operation at the factory and will operate properly without additional configuring.

It is important for you to read carefully and understand this chapter before attempting to modify your computer's factory settings. Changing some settings might cause your computer to operate improperly.

Here are some instances when you might wish to change your computer's initial setup. You might need to:

- Change time and date
- Alter your computer's security level

## Using the BIOS Setup Utility

- Change the boot options
- Reconfigure power management
- Setup your keyboard for your comfort and use

Additionally, you will need to change your computer's initial setup after:

- Upgrading hardware (such as adding a new hard drive)
- Reconfiguring your mouse, COM, or LPT ports



**NOTE:** If you do change BIOS settings, make sure you record the new settings and keep this information in a safe place. Should you ever have to reset the settings, such as when you replace your battery, you can use this information to reconfigure your computer's BIOS.

The remainder of this chapter explains how to run the BIOS Setup utility, maneuver through the options, and perform specific tasks.

## Accessing the BIOS Setup Utility

To access the BIOS Setup utility, perform the following steps:

1. Turn on your computer and allow the Power-On Self Test (POST) to run.
2. Make a note of any configuration errors listed, and then press [F2], when displayed, to access the Main menu.
3. Follow the instructions on your monitor screen and any on-line help pop-up screens to configure your computer.

## Helpful Hints

When using the BIOS Setup utility consider:

- Several keyboard keys are assigned to help you select menus and sub-menus, options, change option values, and display help information. These keys are displayed at the bottom of all menus, and are listed in the following table.

| Key             | Function   |
|-----------------|--|
| F1              | Help (provides a general help screen)  |
| Esc             | Exit (Exits the Setup utility and exits sub menus within the Setup utility)                |
| ↑↓ arrow keys   | Select Item  |
| ← → arrow keys  | Select Menu  |
| -/+ or spacebar | Change Values  |
| Enter           | Select > Sub-Menu  |
| F9              | Setup Defaults (Restore all current Setup screen values to their factory default settings) |
| F10             | Previous Values (Restores all BIOS values from the last session)                           |

- Item-specific help is available anytime during the setup process and appears at the right of the setup screen when an option is highlighted.
- Choosing the “Exit” menu reveals several helpful options:
  - Select “Save Changes & Exit” to save all Setup values and exit Setup.
  - Select “Exit Without Saving Changes” to exit Setup without recording any changes.



**NOTE:** Answer the Warning message carefully.

- Select “Get Default Values” to set all setup options to their factory default values.
- Select “Load Previous Values” to restore all setup values from the last session.
- Select “Save Changes” to save all setup selections without exiting Setup.

## Changing Your Computer's Configuration

The following sections provide detailed information on changing your computer's factory configuration. Before changing any setting, make sure you fully read and understand the information provided and view any on-line help for a selected setting.

### Changing Time and Date

There may be instances when it will be necessary, such as daylight savings or if you move to a different time zone, to change the date and/or time that is resident in your computer's BIOS. The following directions show you how this is done.

1. Reboot the computer and enter Setup.
2. In the Main menu, using the cursor keys and [Tab], select (highlight) the System Time or System Date field you want to change.
3. Use [+] or [-] to change the field to the desired value.

You can also enter the desired date and time.

4. Save Changes and Exit Setup and allow your computer to reboot.

### Setting Up Security

Computer security is important to prevent theft or accidental loss of your computer software and data. The following sections describe the BIOS security features available and how to use them.

#### Setting Supervisor and User Passwords

Your computer has two password levels that can be set to prevent unauthorized access to computer files or to the BIOS Setup utility. If a supervisor password is set, the computer asks you to enter a password before accessing the BIOS Setup utility.

If "Password On Boot" is enabled, and both the supervisor and user passwords are enabled, you need to enter either the supervisor or user password to use the computer. Password on boot limits who accesses the computer and the level of functionality you receive.

Once a supervisor password is set, the computer is prevented from booting if the user password is entered at boot instead of the supervisor password.

Additionally, if after selecting [F2] during the boot sequence, the user password is entered instead of the supervisor password, the Main, Advanced, Boot, and Power menus in the BIOS Setup utility are rendered inaccessible.



**NOTE:** A supervisor password must be set before you can set a user password. If the supervisor password is later deleted, the user password is automatically removed.

Perform the following steps to set a supervisor password:

1. Reboot the computer and enter Setup.
2. Highlight the “Security” menu.
3. Highlight “Set Supervisor Password” and press [Enter].
4. Type in a seven (7) digit alpha-numeric supervisor password and then press [Enter].
5. Retype your password as instructed and press [Enter]. (Notice that “Supervisor Password Is” field now indicates Enabled.)

If desired, set a user password as follows:

1. Highlight “Set User Password” and press [Enter].
2. Type in a seven (7) digit alpha-numeric user password and then press [Enter].
3. To confirm, retype your user password as instructed and press [Enter]. (Notice that “User Password Is” field now indicates Enabled.)
4. Press [Esc] then [Enter] twice to exit the BIOS Setup utility and to reboot the computer so changes immediately take affect.

The computer runs the POST and then asks for the password, which has just been set.

*If you forget your password, refer to Appendix A “Technical Specifications” for information on resetting your password.*



## Enabling Password On Boot

When “Password On Boot” is enabled, a screen appears after POST. The screen asks you to enter your supervisor password or user password to allow your computer to finish the boot sequence.

Perform the following steps to set “Password On Boot”:

1. Reboot the computer and enter Setup.
2. Highlight the “Security” menu.
3. Highlight “Password On Boot.”
4. Press the [+] key. (Pressing the [+] key again reverses your action.)
5. Press [Esc] then [Enter] twice to exit the BIOS Setup utility and to reboot the computer so changes immediately take affect.

## Eliminating User and Supervisor Passwords

To eliminate your computer’s password(s), follow the directions given below:

1. Reboot the computer and enter Setup.
2. Enter the supervisor password and press [Enter].
3. Do you wish to eliminate the User Password or the Supervisor Password?

If User Password, select “Set User Password.”

If Supervisor Password, select “Set Supervisor Password.”

4. Press Enter three times.

You have cleared the old password and are returned to the “Security” menu. Verify that the appropriate password is disabled by checking “User Password is” or the “Supervisor Password is” field, whichever is relevant.

5. Press [Esc] then [Enter] twice to exit the BIOS Setup utility and to reboot the computer so changes immediately take affect.

## Protecting Against Boot Sector Viruses

Your computer incorporates, in the BIOS Setup utility, a selection to write protect the fixed disk boot sector. By write-protecting the boot sector, you can protect your computer against viruses that corrupt the boot sector.

The “Fixed Disk Boot Sector” line in the Security menu allows you to enable a very important anti-virus attribute. Selecting “Write-Protect” can help you to protect your hard disk from being corrupted by viruses, which could disable your hard disk.

To write-protect your fixed disk boot sector:

1. Reboot the computer and enter Setup.
2. Highlight the “Security” menu.
3. Highlight “Fixed Disk Boot Sector.”
4. Press the [+] key to enable write-protect (pressing the [+] key again, returns your computer to normal).
5. Press [Esc] then [Enter] twice to exit the BIOS Setup utility and to reboot the computer so changes immediately take affect.

## Other Security Options

These options can provide further security for your computer under certain conditions.

- If “Password On Boot” is enabled and “Diskette Access” is set to “Supervisor,” entering the supervisor password at boot allows access to a diskette. Entering the user password at boot, however, prevents the computer from accessing a diskette.



**CAUTION:** Consider your security needs before using the “Password on Boot” option. While this option is enabled, the contents of the hard disk drive cannot be backed up to diskettes and the computer cannot be booted from a diskette drive.

- *Custom Sign On Banner* – When enabled, allows a custom banner to be displayed every time you turn your computer on.

## Using the BIOS Setup Utility

- *Diskette Access* – While enabled, this option prevents information on the computer's hard disk drive from being copied to a diskette drive. In this state, the computer reads information from diskettes inserted into the diskette drive, but no information can be copied from the computer's memory or hard disk drive onto diskettes.
- *Network Server* – Locks the keyboard and mouse to prevent tampering during network operation. You must enter a supervisor password to unlock the keyboard and mouse.
- *SETUP Prompt* – Found in the “Main” menu under “Boot Options,” this feature allows disabling the [F2] Setup prompt during the boot sequence. Although this feature does not prevent entering setup if you know the setup key, it will help prevent infrequent users from accessing Setup. This feature could prove useful in a school or retail setting.

Toggle the Setup prompt field (press the [+] key) back to Enabled in the “Boot Options” to redisplay the [F2] Setup prompt during the boot sequence.

- *Suspend Lock System* – Found in the “Power” menu, this feature is enabled if your Power Management selections put your computer into the “System Standby” or “System Suspend” modes. This feature disables your keyboard and mouse; you can reactivate them after entering a password.



**NOTE:** The Suspend Lock System key combination enabled in Setup will be the combination required to place your computer automatically into standby.

## Setting Power Management Options

This section describes how to select and set your computer's Power Management parameters using the BIOS Setup utility.



**NOTE:** You can use Digital's Power Management utility to set your computer's power management features (Windows 95 only).

Windows NT Workstation does not support power management. Your computer's BIOS has power management features but Windows NT Workstation does not support them.

## Setting up Power Management



**NOTE:** None of the power management features available in the BIOS Setup utility apply unless the "Power Management" field is set to *Enabled*.

To initialize the power management features:

1. Reboot the computer and enter Setup.
2. Highlight the "Power" menu.
3. Highlight "Power Management."

4. Press the [+] key to select Enable (pressing the [+] key again, returns your computer to Disable).



**NOTE:** “System Standby Timer” and “System Suspend Timer” have been preset. You can change these times by selecting them and pressing the + key to sequence through the available options.

In “Standby” mode, peripheral components are put in their lowest active states in addition to reducing the processor speed after the set period of inactivity.

In “System Suspend” mode, peripheral components are shut off, and the CPU speed is further reduced after the set period of inactivity.

5. Choose other Power Management options as desired.
6. Press [Esc] then [Enter] twice to exit the BIOS Setup utility and to reboot the computer so changes immediately take affect.

## Configuring for New Disk Drives

These sections describe how to configure new disk drives in the BIOS Setup utility.

### Diskette Drive Configuration

Diskette drives need to be configured from within the BIOS Setup utility once the new diskette drive is installed.

To configure a newly installed diskette drive, proceed as follows:

1. Reboot the computer and enter Setup.
2. Highlight the Main menu.
3. Highlight “Diskette A” or “Diskette B” (depending upon how you connected the diskette drive to your computer).
4. Press the [+] key to sequence through the available options.
5. Press [Esc] then [Enter] twice to exit the BIOS Setup utility and to reboot the computer so changes immediately take affect.

## Hard Disk Drive Configuration

Installing new ANSI-supported IDE hard disks is made easier by the “Autotype” drive detect mode available in the BIOS Setup utility.

### Autotyping a Hard Disk

To Autotype a newly installed hard disk:

1. Reboot the computer and enter Setup.
2. Highlight the “Main” menu.
3. Select an “IDE Adapter” field to assign the new hard disk and press [Enter].
4. Select “Autotype Fixed Disk” and press [Enter].

The BIOS Setup utility searches the hard disk and fills-in the disk parameters. If a parameter does not read correctly, follow the “Manually Defining a Hard Disk” procedure given later in this chapter.

5. Press [Esc] once and verify that the selected IDE Adapter field reads correctly for your hard disk.

For example: IDE Adapter 0 Master (C: 835 MB). If the selected IDE Adapter field does not read correctly, follow the “Manually Defining a Hard Disk” procedure given later in this chapter.

6. Press [Esc] once then [Enter] twice to exit the BIOS Setup utility and to reboot the computer so changes immediately take affect.

### Manually Defining a Hard Disk

If your hard disk was not recognized correctly by the Autotype mode in the BIOS Setup utility, or you wish to change your hard disk’s definition, you can manually define your hard disk drive as follows:

1. Reboot the computer and enter Setup.
2. Highlight the “Main” menu.
3. Select an “IDE Adapter” field to assign the new hard disk and press [Enter].
4. Fill-in the parameters of the hard disk in the appropriate fields.

5. Press [Esc] once and verify that the selected IDE Adapter field reads correctly for your hard disk. For example: IDE Adapter 0 Master (C: 835 MB).
6. Press [Esc], then [Enter] twice to exit the BIOS Setup utility and to reboot the computer so changes immediately take affect.

## Changing the Boot Sequence

It is sometimes necessary to change your computer's boot sequence. For example, when connecting to a network. (Follow your network manual's instructions to determine the correct boot sequence.)

To change the boot sequence, proceed as follows:

1. Reboot the computer and enter Setup.
2. Highlight the "Boot" menu.  
  
Diskette drive, Hard Disk, and CD-ROM Drive are displayed. The number shows the current ordering. For example, if CD-ROM Drive is 1 and Diskette Drive is 2, the computer boots first from the CD-ROM drive. If it is empty, the computer goes to the diskette drive and then finally to the hard disk drive.
3. Use the [↑] and [↓] arrows to locate the field you want to change. Then use the [+] to raise the order and [-] to lower it.
4. Press [Esc] twice then [Enter] twice to exit the BIOS Setup utility and to reboot the computer so changes immediately take affect.

## Speeding up the Boot Process

There are three options for speeding up the boot process. They in essence eliminate or replace displays or checks. To make these changes, proceed as follows:

1. Reboot the computer and enter Setup.
2. Highlight the Main menu.

3. Highlight “Boot Options” and then press [Enter].

The following table lists the items displayed and describes them.

| <b>Field</b>   | <b>Description</b>   |
|----------------|--|
| Summary screen | Displays the computers configuration   |
| Quiet boot     | Replaces POST boot messages with a display of the Digital logo   |
| Floppy check   | Verifies the floppy boot drive   |
| POST error     | Pauses and displays the Setup prompt or Resume boot prompt, if an error occurs during the boot sequence. If disabled, the computer always attempts to boot.                    |
| Setup prompt   | Displays the Setup prompt message during the boot sequence. If disabled, the Setup prompt message will not be displayed. However, you can still access the BIOS Setup utility. |

4. Select the item(s) you wish to change and use the [+] or [-] as follows:

| <b>Field</b> | <b>Speed Up Boot Selection</b> |
|--------------|--------------------------------|
| Summary      | Disable                        |
| Quiet boot   | Enable                         |
| Floppy check | Disable                        |
| POST error   | Disable                        |
| Setup prompt | Enable                         |

5. Press [Esc] twice then [Enter] twice to exit the BIOS Setup utility and to reboot the computer so changes immediately take effect.



## Resetting Keyboard Features

Several parameters effecting keyboard performance can be altered from within the BIOS Setup utility. They are: “NumLock,” “Key Click,” “Keyboard Auto-Repeat Rate,” and “Keyboard Auto-Repeat Delay.”

- “NumLock” is factory set to “Auto” at boot which means that the number pad is on each time you boot. This is desirable, for example, if you primarily use spreadsheets or accounting software.

If, however, you primarily use a word processor or desktop publishing program, you might wish to leave NumLock off at boot to avoid having to turn it off manually.

- “Key Click,” when enabled, produces an audible “Click” whenever a key is pressed.
- “Keyboard Auto-Repeat Rate” sets the number of times per second a character repeats.

Most keys on the keyboard automatically repeat the character they represent if the keys are held down.

- “Keyboard Auto-Repeat Delay” sets the time that elapses before the character begins repeating.

## Changing the Keyboard Features

To change the keyboard features:

1. Reboot the computer and enter Setup.
2. Highlight the “Main” menu.
3. Highlight “Keyboard Features” and press [Enter].

If you wish to leave “NumLock” on, skip steps 6 and 7, otherwise:

4. Highlight “NumLock.”

5. Press the [+] key to sequence through your options, select "Off."

If you wish to leave "Key Click" disabled, skip steps 8 and 9, other otherwise:

6. Select "Key Click."
7. Press the [+] key to select `Enable`.

If you wish to leave the "Keyboard Auto-Repeat Rate" (the number of times per second a character repeats) the same, skip steps 8 and 9, otherwise:

8. Highlight "Keyboard Auto-Repeat Rate."
9. Press the [+] key to sequence through the available options.

If you wish to leave the "Keyboard Auto-Repeat Delay" (the time that elapses before the character begins repeating) the same, skip steps 10 and 11, otherwise:

10. Highlight "Keyboard Auto-Repeat Delay."
11. Press the [+] key to sequence through the available options.
12. Press [Esc] twice then [Enter] twice to exit the BIOS Setup utility and to reboot the computer so changes immediately take effect.

## Setting Your Computer's Volume Control

If your computer has an onboard ESS sound chip, you must enable the "Integrated Audio" option using the BIOS Setup utility. If your computer does not have an onboard ESS sound chip, leave this option "Disabled."

To enable this option, proceed as follows:

1. Reboot the computer and enter Setup.
2. Highlight the Advanced menu and press [Enter].
3. Highlight Integrated Peripherals and press [Enter].
4. Highlight "Integrated Audio" and select `Enabled`.
5. Highlight "System Speaker Volume," choose an appropriate volume setting, and then press [Enter].

6. Press [Esc] twice then [Enter] twice to exit the BIOS Setup utility and to reboot the computer so changes immediately take affect.



**NOTE:** You can also adjust your computer's speaker volume using an audio application within Windows 95 or Windows NT Workstation. Refer to the Windows 95 or Windows NT Workstation on-line help for more information.

## Flash Utility

All Celebris GL-2 computers have BIOS software in a read-only, non-volatile memory (ROM) chip. This BIOS initializes hardware and boots the operating system when the computer is turned on. The BIOS also provides access to other services such as keyboard and disk drives.

Your computer comes equipped with flash memory. This means that you can restore your computer's BIOS simply by running the flash utility. If necessary, you can also upgrade your computer's BIOS to future releases by running the flash utility along with any flash BIOS update diskette.

Only use the flash utility to upgrade your computer's BIOS if you are instructed to do so by an authorized Digital support representative. You can download BIOS updates along with the flash utility and instructions on how to flash your computer's BIOS from the Internet or Digital's Bulletin Board Service (BBS).

*Refer to the "Preface" for additional access information.*

# Inside Your Computer **3**

---

## Introduction

This chapter shows the location of your computer's internal components. Expansion information is also covered in this chapter along with illustrations detailing the:

- Main logic board
- Backplane

Each computer contains a main logic board and a backplane. The main logic board provides most of the chips and components. The backplane contains slots for connecting expansion boards.

The chapter concludes with instructions on how to:

- Remove the main logic board (required when installing an optional video memory (WRAM))
- Replace the battery
- Install a higher-performance processor

## Improving Computer Performance

As your computing needs change, you can achieve improved computer performance by:

- Installing additional computer memory
- Installing an optional video memory (WRAM) daughter card

- Upgrading your hard disk drives
- Installing a higher performance main logic board design

## Preparing Your Computer for Expansion

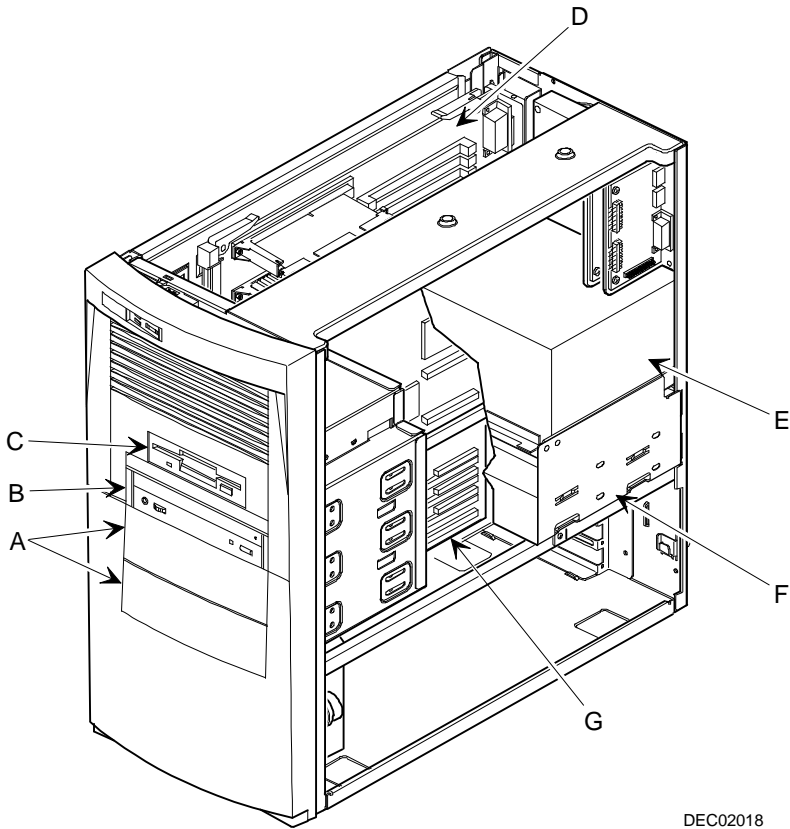
Before you begin to expand your computer, refer to Chapter 1, “Beyond Quick Setup,” for instructions on preventing component damage from static electricity, disconnecting external devices, and removing the outside cover.

## Your Computer’s Components and Connectors

The following sections show your computer’s main logic board, backplane, and adapter card component and connector locations. Use the information presented anytime you need to connect external devices, expand, or upgrade your computer.

## Computer Components

| Figure Legend | Component  |
|---------------|--|
| A             | Front access 5¼-inch drive bay(s)  |
| B             | Front access 5¼-inch drive bay with CD-ROM (not available on all models) |
| C             | 3½-inch diskette drive   |
| D             | Main Logic Board (MLB)   |
| E             | Power supply   |
| F             | Internal 3½-inch drive bay(s)  |
| G             | Backplane  |

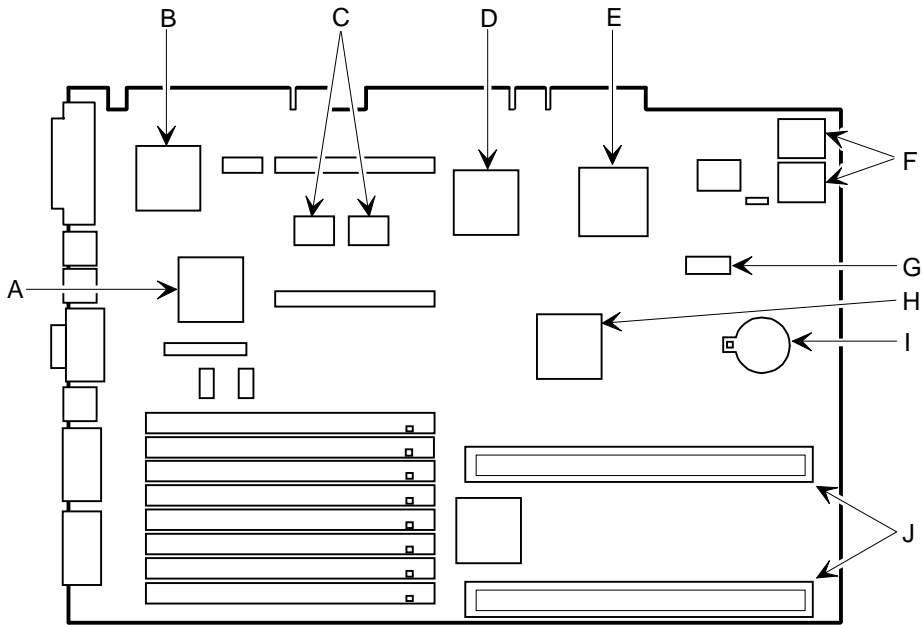


DEC02018

**Figure 3-1. Computer Components**

## Main Logic Board Components

| <b>Figure Legend</b> | <b>Component</b>                       |
|----------------------|--|
| A                    | RAMDAC                                 |
| B                    | Super input/output controller          |
| C                    | Onboard video memory                   |
| D                    | Matrox MGA Millennium video controller |
| E                    | PCI/ISA/IDE Xcellerator (PIIX3)        |
| F                    | Computer flash and video BIOS          |
| G                    | Dip switch                             |
| H                    | Intel 440FX chip                       |
| I                    | Computer battery                       |
| J                    | Pentium® II processor(s)               |



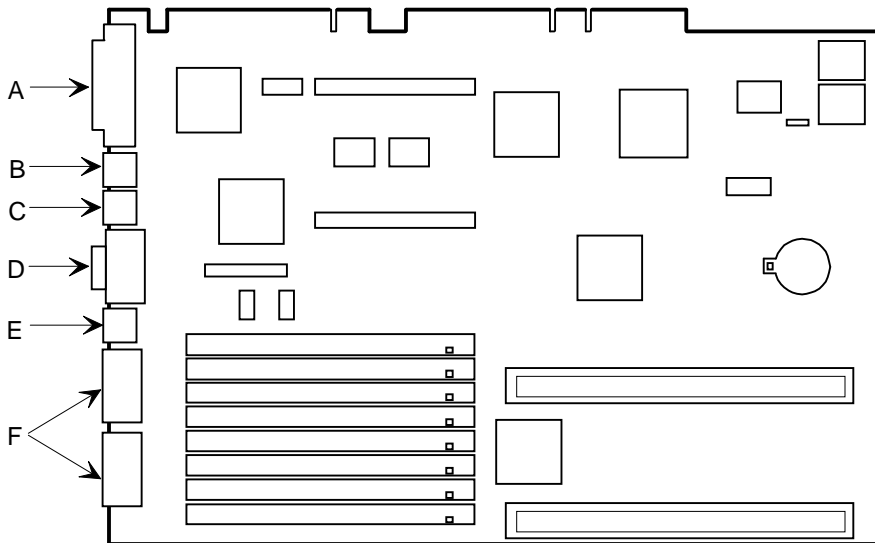
DEC02008-2

**Figure 3-2. Main Logic Board Components**



## Main Logic Board Connectors (Rear Panel)

| Figure Legend | Connector                                      |
|---------------|--|
| A             | Parallel port                                  |
| B             | Keyboard port                                  |
| C             | Mouse port                                     |
| D             | Video (VGA) port (not available on all models) |
| E             | Two USB ports                                  |
| F             | Two serial ports                               |

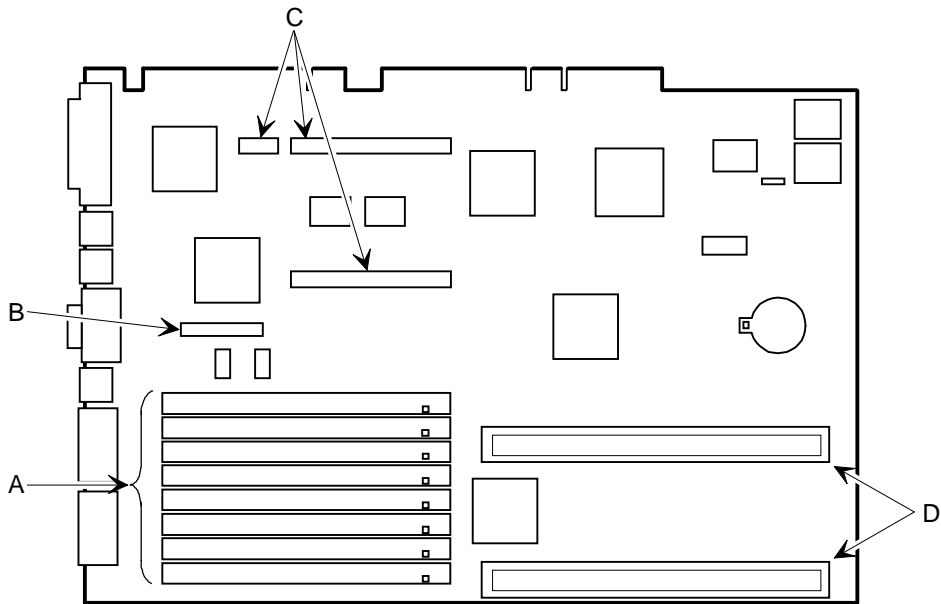


DEC02008-4

**Figure 3-3. Main Logic Board Components (Rear Panel)**

## Main Logic Board Connectors

| Figure Legend | Connector   |
|---------------|---|
| A             | Eight 72-pin, 32-bit SIMM sockets   |
| B             | VGA feature connector (output only)   |
| C             | Video memory (VRAM) upgrade connectors  |
| D             | Pentium® II processor socket 1 connectors (primary on top, secondary on bottom) |

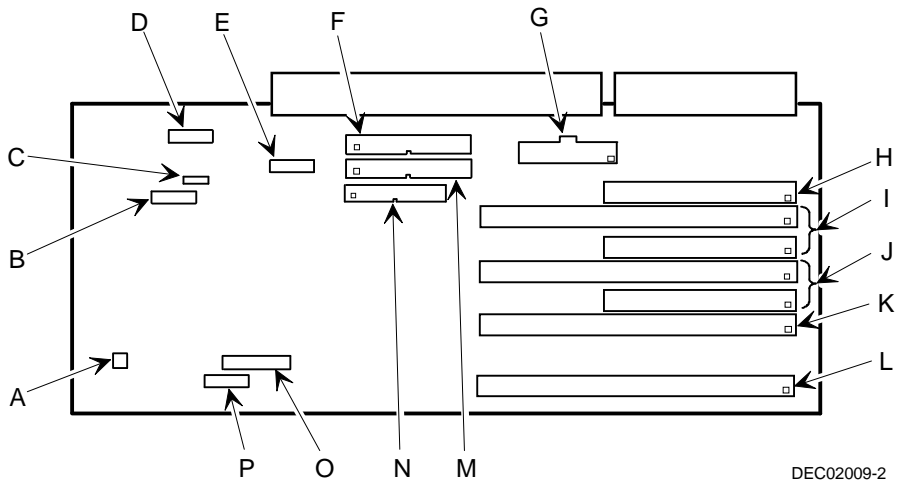


DEC02008-3

Figure 3-4. Main Logic Board Connectors

## Backplane Components and Connectors

| <b>Figure Legend</b> | <b>Connector</b>  |
|----------------------|---|
| A                    | Fan connector   |
| B                    | Audio connector (not available on all models)                             |
| C                    | CD-ROM audio input connector (CD-IN)                                      |
| D                    | MIDI/game port (not available on all models)                              |
| E                    | 5 V dc power connector  |
| F                    | Primary IDE drive connector   |
| G                    | Main power connector  |
| H                    | 32-bit half-size PCI slot (slot 1)  |
| I                    | 32-bit half-size PCI/ISA combination slot (slot 2)                        |
| J                    | 32-bit full-size PCI/ISA combination slot (slot 3)                        |
| K                    | 16-bit full-size ISA slot (slot 4)  |
| L                    | 16-bit full-size ISA slot (slot 5)  |
| M                    | Secondary IDE drive connector (recommended for an installed CD-ROM drive) |
| N                    | Diskette drive connector  |
| O                    | 100Base-T LAN connector (MII)   |
| P                    | 10Base-T LAN connector  |



**Figure 3-5. Backplane Components and Connectors**

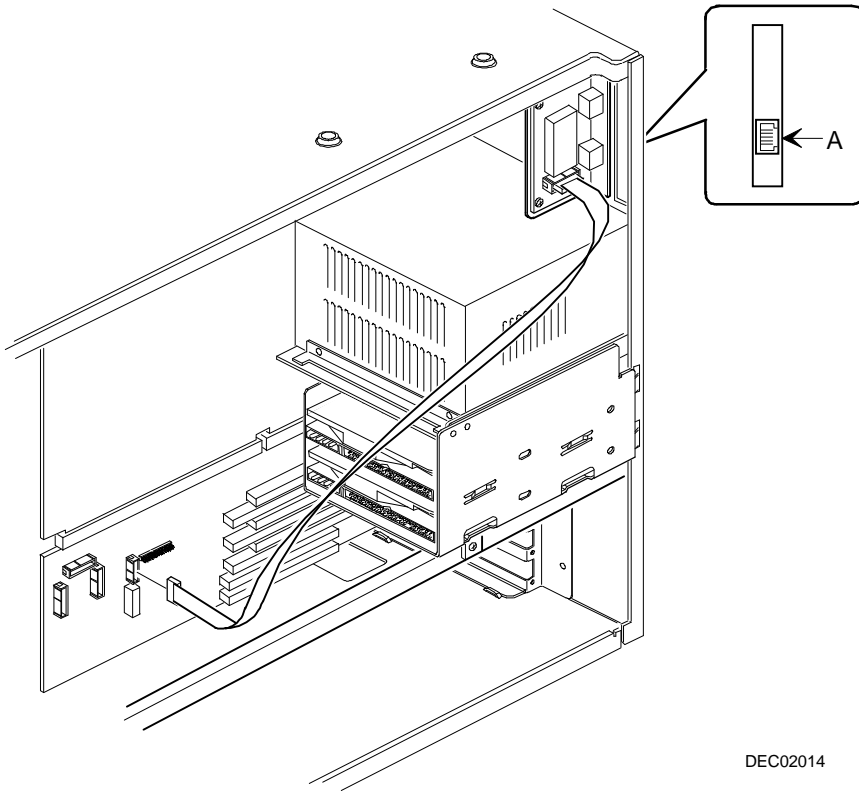
## Network Adapter Card Connector

Your computer comes network ready. You can use the 10/100Base-T (A, Figure 3-6) port at the rear of your computer to connect your external network cable. The internal network cable is already installed for you.



**NOTE:** The location of this adapter card might vary depending on your computer model.

Inside Your Computer



DEC02014

**Figure 3-6. Network Adapter Card Connector**

## Audio/MIDI Adapter Card Connectors

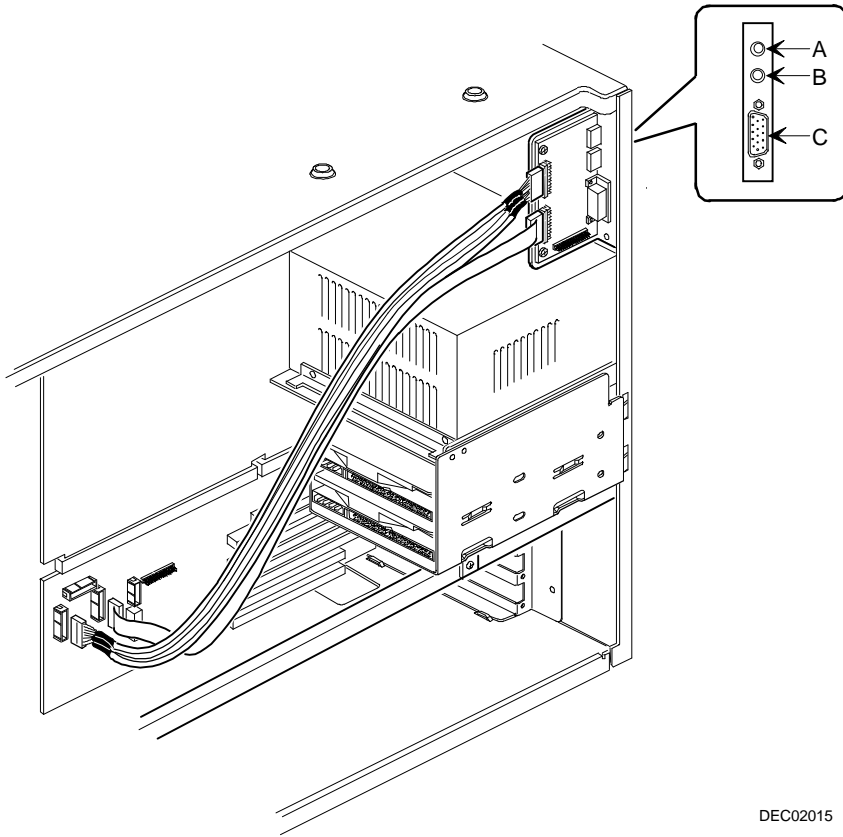
Computers with the ESS sound chip come with an audio/MIDI adapter card installed. This card allows you to connect a MIDI device and speakers to your computer.



**NOTE:** The location of this adapter card might vary depending on your computer model.

| Figure Legend | Connector               |
|---------------|-------------------------|
| A             | Line in                 |
| B             | Speaker out             |
| C             | MIDI port/joystick port |

Inside Your Computer



DEC02015

**Figure 3-7. Audio/MIDI Adapter Card Connectors**



## Removing the Main Logic Board

If you plan on installing an optional video memory (VRAM) daughter card, you need to remove the main logic board. To remove the main logic board:

1. Turn off your computer and monitor.
2. Disconnect all external devices, ac power, and monitor power.



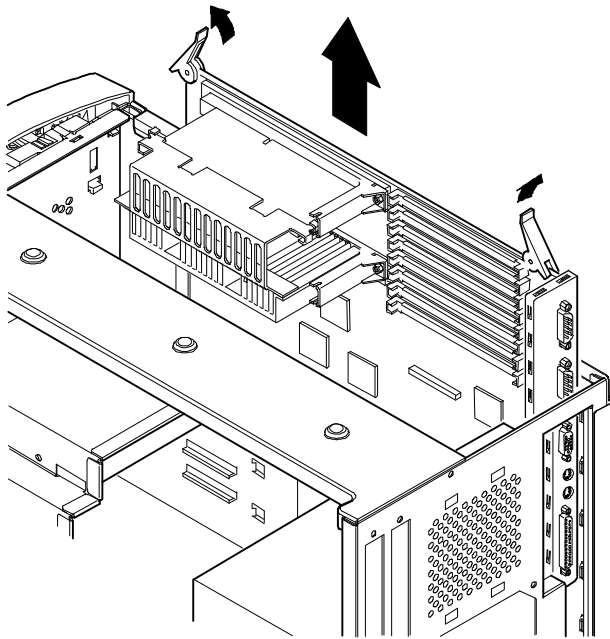
**STATIC SENSITIVE:** Static electricity collects on non-conductors such as paper, cloth, or plastic. A static discharge can be damaging even though you often cannot see or feel it. To prevent damage to the main logic board:

- Touch the metal frame of your computer to discharge any static electricity.
  - Keep the main logic board away from non-conductors.
3. Remove the outside cover.
  4. Pull up on the two latches attached to the main logic board.  
This separates the main logic board from the backplane.
  5. Carefully remove the main logic board from the chassis.

## Replacing the Main Logic Board

To replace the main logic board:

1. Carefully slide the main logic board into the chassis.  
Make sure the main logic board completely engages the backplane and the two latches fully lock into place.
2. Replace the outside cover.
3. Connect all external devices, ac power, and monitor power.



DEC02013

**Figure 3-8. Removing the Main Logic Board**

## Replacing the Lithium Battery

Your computer comes with a Lithium 3 V dc wafer-style battery. If your computer ever fails to retain the correct date, time, or configuration settings when it is turned on, you need to replace the battery.

To replace the Lithium battery, perform the following:

1. Record your computer's configuration settings using the BIOS Setup utility.
2. Turn off your computer and monitor.
3. Disconnect all external devices, ac power, and monitor power.
4. Remove the outside cover.
5. Lift the retaining clip slightly and push on the battery from the side to slide it out.

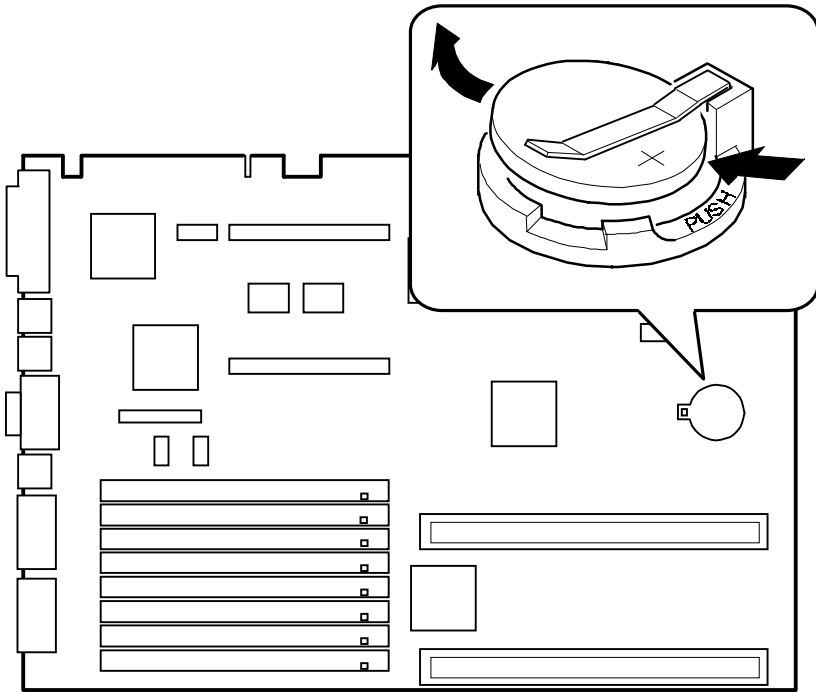


**WARNING:** There is a danger of battery explosion if a lithium battery is incorrectly replaced. To prevent damage to your computer, be sure the + side faces up when installing a new battery. Also, be sure you replace the battery with either a Digital (P/N 12-41474-05), Toshiba (P/N CR2032), or equivalent 3 V dc lithium battery.

Depending on your locality, your computer's battery might be considered hazardous waste. Make sure you follow any state or local statute to properly dispose of the old battery.

6. Install the new battery.  
When installing the new battery, make sure the "+" side faces up.
7. Replace the outside cover.
8. Connect all external devices and restore power.
9. Run the BIOS Setup utility to reconfigure your computer using the recorded configuration settings from step 1.

*Refer to Chapter 2, "Using the BIOS Setup Utility."*



DEC02008-8

**Figure 3-9. Replacing the Battery**

## Installing a Higher Performance Processor

Your computer is equipped with either a single or dual Intel Pentium® II processor module installed in the appropriate Slot 1 socket on the main logic board. Total computer performance is based upon your computer main logic board design, speed and L2 cache of the processor module(s), amount of computer memory, video controller type and amount of video memory, and performance characteristics of your hard disk drive.

If your computer was purchased with a single Pentium® II processor and you wish to upgrade to a faster processor, or to a dual processor configuration, consider the following information prior to upgrading your computer.

1. Your computer main logic board contains:
  - An Intel 440FX (Natoma) memory and PCI controller
  - Switch selectable processor clock input frequencies up to 400 MHz (Refer to Appendix A for switch settings)
2. Single Pentium® II processor modules must be installed in the primary Slot 1 socket (closest to the computer battery) and have a termination card installed in the second Slot 1 socket.
3. Pentium® II processor modules are available with 512 KB L2 cache memory. Dual processor configurations must have matching L2 caches.
4. Dual processor configurations must have Pentium® II processors with matching stepping (manufacturing revision). Processors with different stepping might not function properly.
5. Higher performance Pentium® II processors might require loading the latest BIOS firmware revision.

6. Upgrading from a single Pentium® II processor or to dual Pentium® II processor configuration requires a reloading of the operating system.



**NOTE:** Current versions of Windows 95 does not support dual processors. If you wish to upgrade your computer to a dual processor configuration, you will also need to change operating systems. Microsoft Windows NT 3.51 and 4.0 support dual processors.

*Contact your Digital sales representative or reseller for future processor upgrades and BIOS revisions.*

To upgrade from a single-processor configuration to a dual-processor configuration:



**NOTE:** Instructions that accompany your Pentium® II processor Upgrade Kit supersede the directions provided below.

1. Turn off your computer and monitor.
2. Disconnect all external devices, ac power, and monitor power.
3. Remove the outside cover.

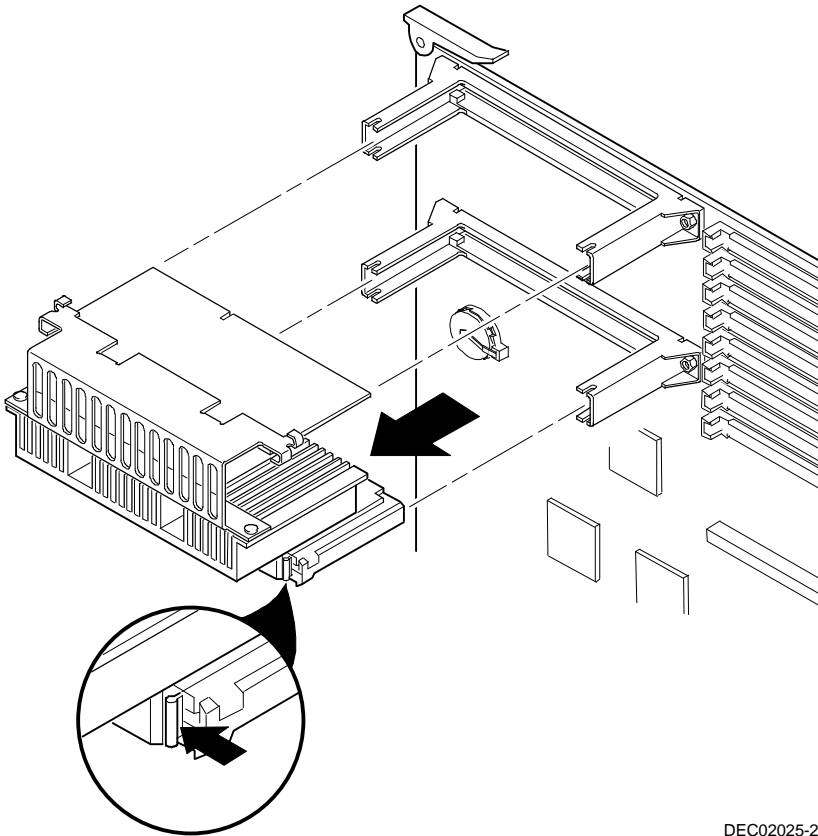


**STATIC SENSITIVE:** Static electricity collects on non-conductors such as paper, cloth, or plastic. A static discharge can be damaging even though you often cannot see or feel it. To prevent damage to the processor:

- Touch the metal frame of your computer to discharge any static electricity.
  - Keep the processor away from non-conductors.
4. Release the processor from its socket by pushing in on the two plastic tabs at each side of the processor (see Figure 3-10).
  5. Carefully remove the old processor and termination card out and away from their sockets.



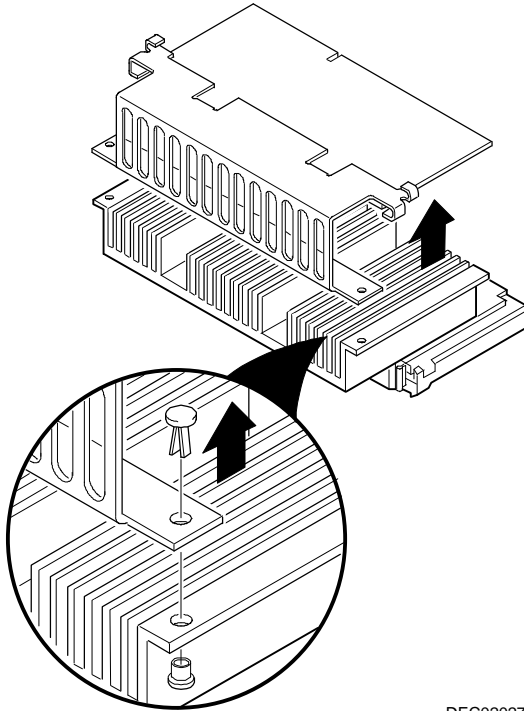
**NOTE:** Because of dual processor stepping, some upgrade kits might come with a completely assembled dual processor assembly. If your upgrade kit has two processors, skip steps 6 and 7.



DEC02025-2

**Figure 3-10. Releasing the Installed Processor**

6. Remove the bracket, with the termination card attached, from the processor's heatsink (see Figure 3-11).

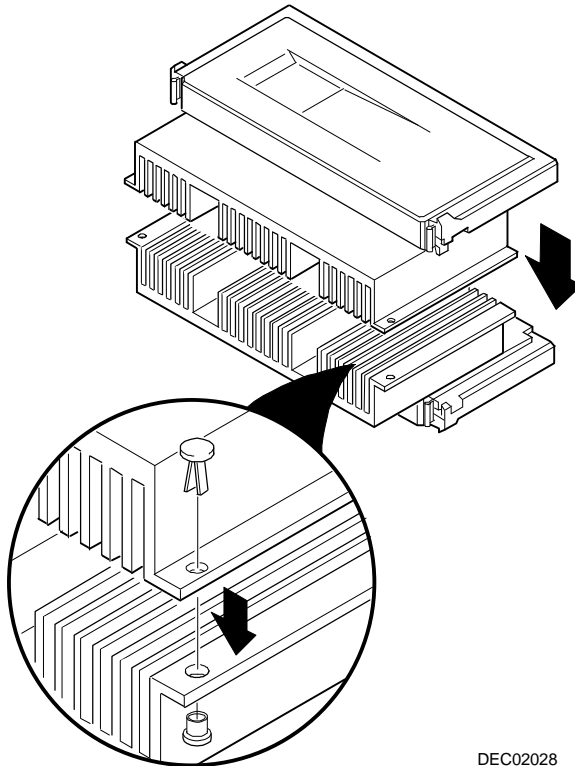


DEC02027

**Figure 3-11. Removing the Bracket and Termination Card**



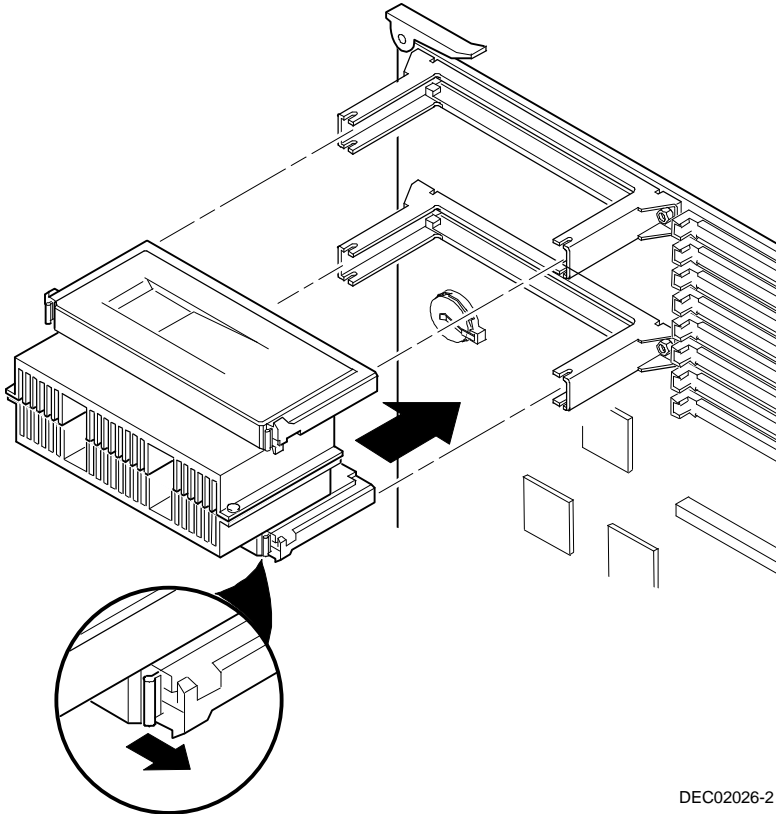
7. Attach the new heat sink, with new processor attached, to the old heatsink (see Figure 3-12).



DEC02028

**Figure 3-12. Attaching the New Processor**

8. Carefully insert both processors into their respective sockets on the main logic board (see Figure 3-13).
9. Secure both processors to their sockets by pushing out on the two plastic tabs at each side of each processor.



DEC02026-2

**Figure 3-13. Installing Both Processors**

9. Set all appropriate switch settings on the main logic board.  
*Refer to Appendix A, "Technical Specifications," for jumper and switch locations.*
10. Replace the outside cover.

11. Connect all external devices and restore power.



**NOTE:** A restoration CD-ROM has been supplied with your processor upgrade kit. Use this CD-ROM to install an operating system and a diagnostics program that support a dual processor configuration.

This CD-ROM also contains information on how to obtain a new computer BIOS.

12. Turn on your computer and insert the supplied restoration CD-ROM. Once inserted, run the setup program to load the operating system and any additional software.

# Main Logic Board Expansion

---

# 4

## Introduction

This chapter provides detailed instructions on installing the following main logic board options:

- Computer memory
- Optional video memory (WRAM) daughter card

*Refer to Chapter 1, "Beyond Quick Setup," information on removing and replacing your computer's outside cover.*

## Installing Additional Computer Memory

Adding more memory enables your computer to run larger, more complicated software and run it more quickly.

Your computer supports both EDO and fast-paging parity 72-pin SIMM DRAM. Depending upon which computer product you have purchased, you might have either EDO or Fast-Page DRAM installed in your computer.

Your computer comes with either 32 MB or 64 MB of Extended Data Out (EDO) or Fast-Page parity memory. Your computer supports four memory banks (see Figure 4-1). Each bank contains two 72-pin SIMM connectors. They are labeled as follows:

BANK0 = J13, J14  
BANK1 = J15, J16  
BANK2 = J17, J18  
BANK3 = J19, J20

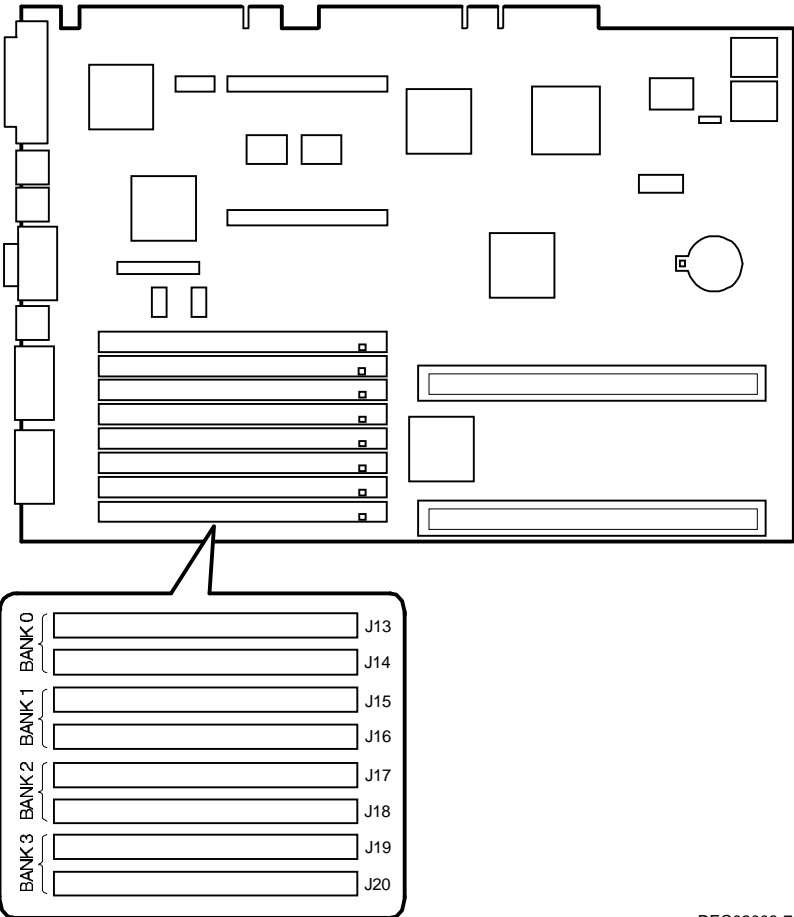
You can increase the amount of computer memory up to 256 MB (EDO) or 512 MB (Fast-Page parity) using the eight SIMM sockets on the main logic board.

### EDO Memory

Your computer supports EDO memory. EDO memory, in pairs of 8 MB, 16 MB, or 32 MB, is faster than standard non-parity or Fast-Page parity memory. 64 MB EDO SIMMs are not available at this time. Contact your Digital sales representative for information about the availability of these SIMMs.

### ECC Memory Support (Fast-Page DRAM)

Error Correcting Code (ECC) memory functionality is provided in your computer using standard Fast-Page parity DRAM and the installed Intel 440FX core logic chip. To enable ECC operation, use Fast-Page parity DRAMs and enable the ECC option using your computer's BIOS Setup utility. Fast-Page memory should be installed in pairs of 8 MB, 16 MB, 32 MB, or 64 MB.



DEC02008-7

Figure 4-1. SIMM Socket Locations

## Adding EDO SIMMs

When adding EDO SIMMs:

- SIMM socket pairs must be populated with the same SIMM densities, single or double. For example, SIMM sockets J15 and J16 must be populated with the same densities. However, SIMM sockets J17 and J18 can be populated with SIMMs with a different density than J15 and J16.
- EDO and Fast-Page parity DRAM can be mixed within the memory array. However, only one type can be used per any SIMM socket pair. If different types of memory are used, your computer will optimize each row for that type of memory.
- 8 = 8 MB EDO SIMM, no parity.
- 16 = 16 MB EDO SIMM, no parity.
- 32 = 32 MB EDO SIMM, no parity.

*Refer to "Memory Configurations (EDO)" for a list of SIMM combinations supported by your computer and to "Installing a SIMM" for detailed instructions on installing SIMMs.*

**Memory Configurations (EDO)**

| Bank 0     |            | Bank 1     |            | Bank 2     |            | Bank 3     |            | Total  |
|------------|------------|------------|------------|------------|------------|------------|------------|--------|
| Socket J13 | Socket J14 | Socket J15 | Socket J16 | Socket J17 | Socket J18 | Socket J19 | Socket J20 |        |
| 8 MB       | 8 MB       |            |            |            |            |            |            | 16 MB  |
| 8 MB       | 8 MB       | 8 MB       | 8 MB       |            |            |            |            | 32 MB  |
| 16 MB      | 16 MB      |            |            |            |            |            |            | 32MB   |
| 8 MB       | 8 MB       | 8 MB       | 8 MB       | 8 MB       | 8 MB       |            |            | 48 MB  |
| 16 MB      | 16 MB      | 8 MB       | 8 MB       |            |            |            |            | 48 MB  |
| 8 MB       | 8 MB       | 8 MB       | 8 MB       | 8 MB       | 8 MB       | 8 MB       | 8 MB       | 64 MB  |
| 16 MB      | 16 MB      | 8 MB       | 8 MB       | 8 MB       | 8 MB       |            |            | 64 MB  |
| 16 MB      | 16 MB      | 16 MB      | 16 MB      |            |            |            |            | 64 MB  |
| 32 MB      | 32 MB      |            |            |            |            |            |            | 64 MB  |
| 16 MB      | 16 MB      | 16 MB      | 16 MB      | 16 MB      | 16 MB      | 16 MB      | 16 MB      | 128 MB |
| 32 MB      | 32 MB      | 16 MB      | 16 MB      | 16 MB      | 16 MB      |            |            | 128 MB |
| 32 MB      | 32 MB      | 16 MB      | 16 MB      | 8 MB       | 8 MB       | 8 MB       | 8 MB       | 128 MB |
| 32 MB      | 32 MB      | 32 MB      | 32 MB      |            |            |            |            | 128 MB |
| 32 MB      | 32 MB      | 32 MB      | 32 MB      | 8 MB       | 8 MB       |            |            | 144 MB |
| 32 MB      | 32 MB      | 32 MB      | 32 MB      | 8 MB       | 8 MB       | 8 MB       | 8 MB       | 160 MB |
| 32 MB      | 32 MB      | 32 MB      | 32 MB      | 16 MB      | 16 MB      |            |            | 160 MB |
| 32 MB      | 32 MB      | 32 MB      | 32 MB      | 16 MB      | 16 MB      | 8 MB       | 8 MB       | 176 MB |
| 32 MB      | 32 MB      | 32 MB      | 32 MB      | 32 MB      | 32 MB      |            |            | 192 MB |
| 32 MB      | 32 MB      | 32 MB      | 32 MB      | 32 MB      | 32 MB      | 8 MB       | 8 MB       | 208 MB |
| 32 MB      | 32 MB      | 32 MB      | 32 MB      | 32 MB      | 32 MB      | 16 MB      | 16 MB      | 224 MB |
| 32 MB      | 32 MB      | 32 MB      | 32 MB      | 32 MB      | 32 MB      | 32 MB      | 32 MB      | 256 MB |

Table does not list all possible configurations.



## Adding Fast-Page Parity SIMMs

When adding Fast-Page parity SIMMs:

- SIMM socket pairs must be populated with the same SIMM densities, single or double. For example, SIMM sockets J15 and J16 must be populated with the same densities. However, SIMM sockets J17 and J18 can be populated with SIMMs with a different density than J15 and J16.
- EDO and Fast-Page parity DRAM can be mixed within the memory array. However, only one type can be used per any SIMM socket pair. If different types of memory are used, your computer will optimize each row for that type of memory.
- Parity and non-parity fast-page DRAMs are supported; ECC cannot be implemented without parity DRAM SIMMs. 60 or 70 ns DRAMs are supported.
- 8 = 8 MB SIMM, with parity.
- 16 = 16 MB SIMM, with parity.
- 32 = 32 MB SIMM, with parity.
- 64 = 64 MB SIMM, with parity.

*Refer to "Memory Configurations (Fast-Page Parity)" for a list of SIMM combinations supported by your computer and to "Installing a SIMM" for detailed instructions on installing SIMMs.*

**Memory Configurations (Fast-Page Parity)**

| Bank 0     |            | Bank 1     |            | Bank 2     |            | Bank 3     |            | Total  |
|------------|------------|------------|------------|------------|------------|------------|------------|--------|
| Socket J13 | Socket J14 | Socket J15 | Socket J16 | Socket J17 | Socket J18 | Socket J19 | Socket J20 |        |
| 8 MB       | 8 MB       |            |            |            |            |            |            | 16 MB  |
| 8 MB       | 8 MB       | 8 MB       | 8 MB       |            |            |            |            | 32 MB  |
| 16 MB      | 16 MB      |            |            |            |            |            |            | 32MB   |
| 8 MB       | 8 MB       | 8 MB       | 8 MB       | 8 MB       | 8 MB       |            |            | 48 MB  |
| 16 MB      | 16 MB      | 8 MB       | 8 MB       |            |            |            |            | 48 MB  |
| 8 MB       | 8 MB       | 8 MB       | 8 MB       | 8 MB       | 8 MB       | 8 MB       | 8 MB       | 64 MB  |
| 16 MB      | 16 MB      | 8 MB       | 8 MB       | 8 MB       | 8 MB       |            |            | 64 MB  |
| 16 MB      | 16 MB      | 16 MB      | 16 MB      |            |            |            |            | 64 MB  |
| 32 MB      | 32 MB      |            |            |            |            |            |            | 64 MB  |
| 16 MB      | 16 MB      | 16 MB      | 16 MB      | 16 MB      | 16 MB      | 16 MB      | 16 MB      | 128 MB |
| 32 MB      | 32 MB      | 16 MB      | 16 MB      | 16 MB      | 16 MB      |            |            | 128 MB |
| 32 MB      | 32 MB      | 16 MB      | 16 MB      | 8 MB       | 8 MB       | 8 MB       | 8 MB       | 128 MB |
| 32 MB      | 32 MB      | 32 MB      | 32 MB      |            |            |            |            | 128 MB |
| 32 MB      | 32 MB      | 32 MB      | 32 MB      | 8 MB       | 8 MB       |            |            | 144 MB |
| 32 MB      | 32 MB      | 32 MB      | 32 MB      | 8 MB       | 8 MB       | 8 MB       | 8 MB       | 160 MB |
| 32 MB      | 32 MB      | 32 MB      | 32 MB      | 16 MB      | 16 MB      |            |            | 160 MB |
| 32 MB      | 32 MB      | 32 MB      | 32 MB      | 16 MB      | 16 MB      | 8 MB       | 8 MB       | 176 MB |
| 32 MB      | 32 MB      | 32 MB      | 32 MB      | 32 MB      | 32 MB      |            |            | 192 MB |
| 32 MB      | 32 MB      | 32 MB      | 32 MB      | 32 MB      | 32 MB      | 8 MB       | 8 MB       | 208 MB |
| 32 MB      | 32 MB      | 32 MB      | 32 MB      | 32 MB      | 32 MB      | 16 MB      | 16 MB      | 224 MB |
| 32 MB      | 32 MB      | 32 MB      | 32 MB      | 32 MB      | 32 MB      | 32 MB      | 32 MB      | 256 MB |
| 64 MB      | 64 MB      | 64 MB      | 64 MB      |            |            |            |            | 256 MB |
| 64 MB      | 64 MB      | 64 MB      | 64 MB      | 64 MB      | 64 MB      |            |            | 384 MB |
| 64 MB      | 64 MB      | 64 MB      | 64 MB      | 64 MB      | 64 MB      | 8 MB       | 8 MB       | 400 MB |
| 64 MB      | 64 MB      | 64 MB      | 64 MB      | 64 MB      | 64 MB      | 16 MB      | 16 MB      | 416 MB |
| 64 MB      | 64 MB      | 64 MB      | 64 MB      | 64 MB      | 64 MB      | 32 MB      | 32 MB      | 448 MB |
| 64 MB      | 64 MB      | 64 MB      | 64 MB      | 64 MB      | 64 MB      | 64 MB      | 64 MB      | 512 MB |

Table does not list all possible configurations.

## Installing a SIMM

To install a SIMM, perform the following:

1. Turn off your computer and monitor.
2. Disconnect all external devices, ac power, and monitor power.
3. Remove the outside cover.
4. Install the SIMM into the socket at a 45 degree angle.

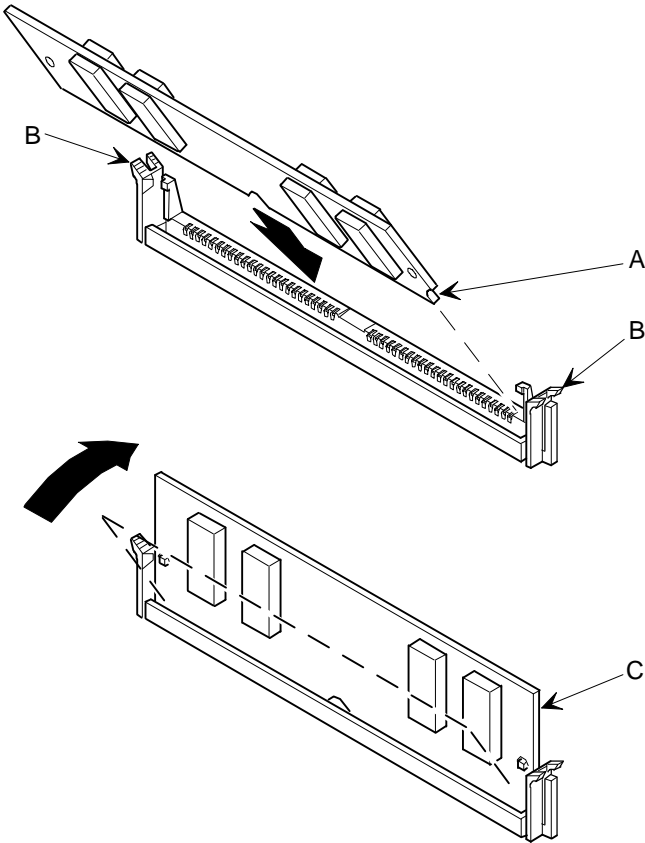
Make sure the notch is oriented as shown (A, Figure 4-2). Rock the SIMM gently until it completely engages the bottom of socket. Tip the SIMM upright until both retaining clips engage (B, C, Figure 4-2).

5. Replace the outside cover.
6. Connect all external devices and restore power.



**STATIC SENSITIVE:** Static electricity collects on non-conductors such as paper, cloth, or plastic. A static discharge can be damaging even though you often cannot see or feel it. To prevent damage to a SIMM:

- Touch the metal frame of your computer to discharge any static electricity.
- Keep the SIMM away from non-conductors.



DEC00921

Figure 4-2. Installing a SIMM

## Installing an Optional Video Memory (WRAM) Daughter Card

If your computer came with 2 MB of video memory (WRAM). You can upgrade to 8 MB of video memory (WRAM) by installing an optional video memory (WRAM) daughter card.

To install the video memory (WRAM) daughter card:

1. Turn off your computer and monitor.
2. Disconnect all external devices, ac power, and monitor power.
3. Remove the outside cover.
4. Remove the main logic board (refer to Chapter 3).



**STATIC SENSITIVE:** Static electricity collects on non-conductors such as paper, cloth, or plastic. A static discharge can be damaging even though you often cannot see or feel it. To prevent damage to the video memory (WRAM) daughter card:

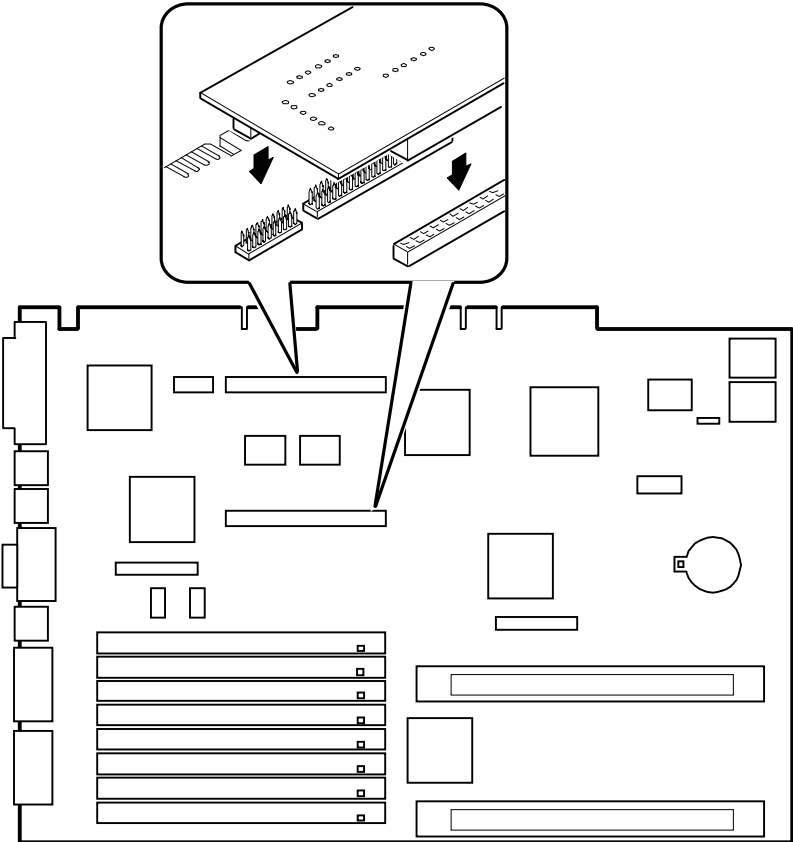
- Touch the metal frame of your computer to discharge any static electricity.
- Keep the video memory (WRAM) daughter card away from non-conductors.

5. Install the video memory (WRAM) daughter card.



**NOTE:** Make sure the male and female connectors are correctly aligned with the mating connectors on the main logic board.

6. Replace the main logic board (refer to Chapter 3).
7. Replace the outside cover.
8. Connect all external devices and restore power.



DEC02008-5

Figure 4-3. Video Memory (WRAM) Daughter Card Installation

# Adding Expansion Boards **5**

---

## Introduction

For all Celebris GL-2 computers, expansion slots are located on a backplane. This chapter describes the location of these slots and provides detailed instructions on installing ISA and PCI expansion boards.

Plug and Play technology eliminates the process of manually configuring optional expansion boards for operation in your computer. With Plug and Play, your computer's BIOS, operating system, and hardware logic built into expansion boards work to assign automatically interrupt requests (IRQs), I/O and memory addresses, and DMA channels for optimum performance.



**NOTE:** If you are using Windows NT Workstation, use the ISA Configuration Utility (ICU) supplied with your computer to correctly assign resources used by the ISA expansion boards.

## Expansion Slots

Your computer's backplane contains five slots for installing:

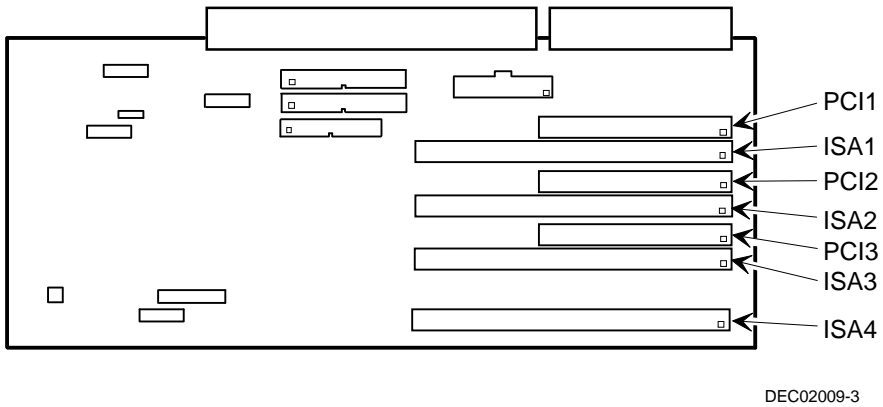
- Four ISA expansion boards and one PCI expansion board or
- Two ISA expansion boards and three PCI expansion boards (refer to the table).

## Adding Expansion Boards

| <b>Expansion Slot Designation</b> | <b>Slot Type</b> | <b>Description</b>  |
|-----------------------------------|------------------|---|
| PCI1                              | Primary          | Supports full-length 32-bit PCI local bus expansion boards<br>Uses the fifth (top) expansion slot at the rear panel   |
| ISA1                              |                  | Supports full-length industry-standard 16-bit ISA expansion boards<br>Uses the fourth expansion slot at the rear panel<br>Designated as a shared slot with PCI slot PCI2 <sup>(1)</sup> |
| PCI2                              | Primary          | Supports full-length 32-bit PCI local bus expansion boards<br>Uses the fourth expansion slot at the rear panel<br>Designated as a shared slot with ISA slot ISA1 <sup>(1)</sup>         |
| ISA2                              |                  | Supports full-length industry-standard 16-bit ISA expansion boards<br>Uses the third expansion slot at the rear panel<br>Designated as a shared slot with PCI slot PCI3 <sup>(1)</sup>  |
| PCI3                              | Primary          | Supports full-length 32-bit PCI local bus expansion boards<br>Uses the third expansion slot at the rear panel<br>Designated as a shared slot with ISA slot ISA2 <sup>(1)</sup>          |
| ISA3                              |                  | Supports full-length industry-standard 16-bit ISA expansion boards<br>Uses the second expansion slot at the rear panel  |
| ISA4                              |                  | Supports full-length industry-standard 16-bit ISA expansion boards<br>Uses the first (bottom) expansion slot at the rear panel  |

<sup>(1)</sup> Only one expansion board can reside in slot PCI2 and 3 and ISA1 and 2 at any one time. These slots have to share the third and fourth expansion slot openings at the rear panel, thus, a maximum of five expansion boards can be supported at any one time.





**Figure 5-1. Expansion Board Slots**

## Installing Expansion Boards

To install an ISA or PCI local bus expansion board:



**NOTE:** Read and fully understand your optional expansion board's documentation before installing it.

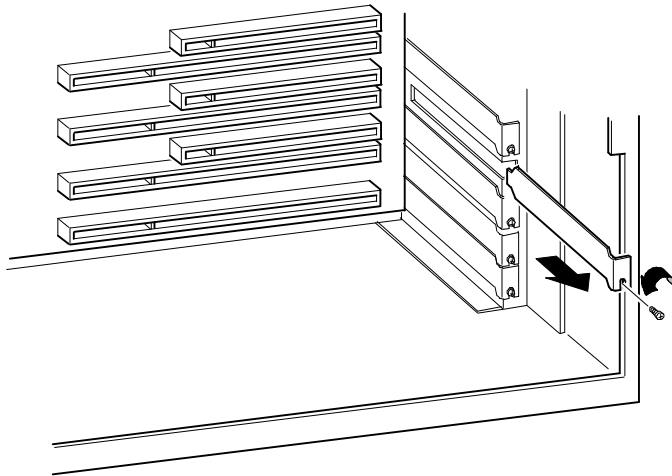
Do not install non-Plug and Play expansion boards until you have run the ICU to determine what configuration the ICU recommends. Configure any jumpers on the expansion board and then install the expansion board.

1. Turn off your computer and monitor.
2. Disconnect all external devices, ac power, and monitor power.
3. Remove the outside cover.
4. Rotate the disk drives to make the area more accessible.
5. Unscrew the metal filler plate(s) from the selected expansion slot.



**STATIC SENSITIVE:** Static electricity collects on non-conductors such as paper, cloth, or plastic. A static discharge can be damaging even though you often cannot see or feel it. To prevent damage to an expansion board:

- Touch the metal frame of your computer to discharge any static electricity.
- Keep the expansion board away from non-conductors.

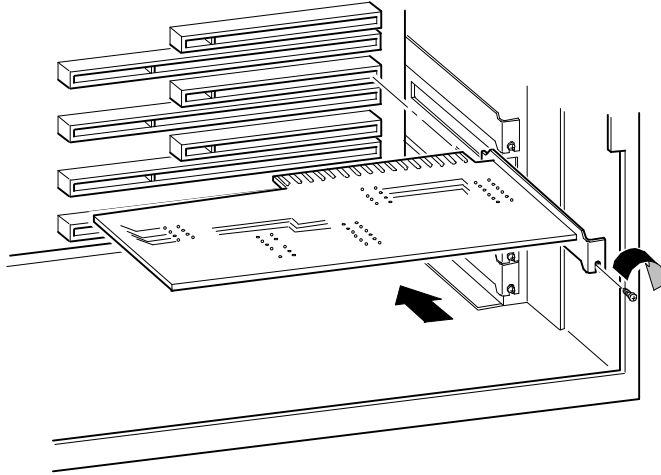


DEC02012-2

**Figure 5-2. Removing a Metal Filler Plate**

## Adding Expansion Boards

6. Insert the new expansion board into the socket.  
Push the expansion board firmly into place.



DEC02012-3

**Figure 5-3. Installing an Expansion Board**

7. Secure the expansion board to the slot with the screw removed in step 4.
8. Replace the outside cover.
9. Connect all external devices and restore power.

## Removing Expansion Boards

If you remove a legacy expansion board or remove an expansion board from a computer running Windows NT Workstation, run the ICU. Use the ICU bootable diskette with Windows NT Workstation. Windows 95 users removing legacy expansion boards can use the ICU that is integrated into Windows 95. You can then remove the expansion board from the ICU Configuration menu and thereby free up resources listed in the ICU database.

# Adding Mass Storage Devices

---

# 6

## Introduction

This chapter provides detailed information on installing mass storage devices, such as another hard disk drive, a tape drive, or another diskette drive. This chapter also describes how to connect diskette, IDE, and SCSI mass storage devices after installation. Note that these installation instructions are referenced as looking from the front of the computer to the rear.



**NOTE:** Your computer's software supports hard disk drives utilizing Self-Monitoring Analysis Technology (S.M.A.R.T.). Using S.M.A.R.T. IDE devices helps you monitor disk drive operation and provides early detection of a potential disk failure.

Before adding mass storage devices to your computer, review the following installation guidelines:

1. Refer to the manufacturer's instructions for your device to determine if switches or jumper settings need to be set or installed on the device. Set all switches and jumpers accordingly before installing the device.
2. Select an available drive bay and then install the device as instructed in the following sections of this manual.

## Adding Mass Storage Devices

3. Connect the device to an appropriate interface ribbon cable connector as described in the following sections. Also consider the following cabling guidelines:
  - Your computer has two Enhanced IDE (EIDE) drive interface connections labeled “primary” and “secondary” located on the computer backplane.
  - Each IDE drive interface connector supports a maximum of two IDE devices.
  - If only one IDE device is connected to the primary or secondary IDE interface, then the IDE device must be attached to the outermost ribbon cable connector.
  - When adding a second IDE hard disk drive to the primary IDE interface, configure the drive for “slave” operation.
  - ATAPI storage devices such as CD-ROM and tape backup drives must be connected to the secondary IDE interface. If the ATAPI drive is the only device installed on the secondary interface, configure the drive for “master” operation. If a hard disk drive is also connected to the secondary IDE interface, then configure the ATAPI drive for “slave” operation.



**NOTE:** ATAPI storage devices might require installation of special device drivers. Refer to the manufacturer’s instructions for more information.

- The 3½-inch diskette drive installed in your computer has its device ID set to 0.

4. Run the BIOS Setup utility to configure your computer so it recognizes the newly installed mass storage devices.

Also, depending on which operation system is installed on your computer, you might be prompted to perform additional installation procedures for CD-ROM or tape backup devices.

5. Refer to your operating system documentation for information on formatting hard disk drives and/or creating disk partitions.

## Installing Mass Storage Devices

Your computer contains six mass storage device bays:

- The top device bay contains a factory installed 3½-inch diskette drive.
- The second device bay contains a factory installed CD-ROM (not available on all models).
- The third and fourth device bays can hold a 3½-inch or 5¼-inch half-height device. For example, a diskette drive, tape backup drive, or hard disk drive.
- The internal device bay is not accessible from the front of the computer and contains a factory installed, low-profile (1-inch high), 3½-inch hard disk drive. This device bay also has room to install a second low-profile (1-inch high), 3½-inch hard disk drive.

The following procedures and illustrations show a base computer configuration. Your specific drive bay configurations and storage devices might vary.



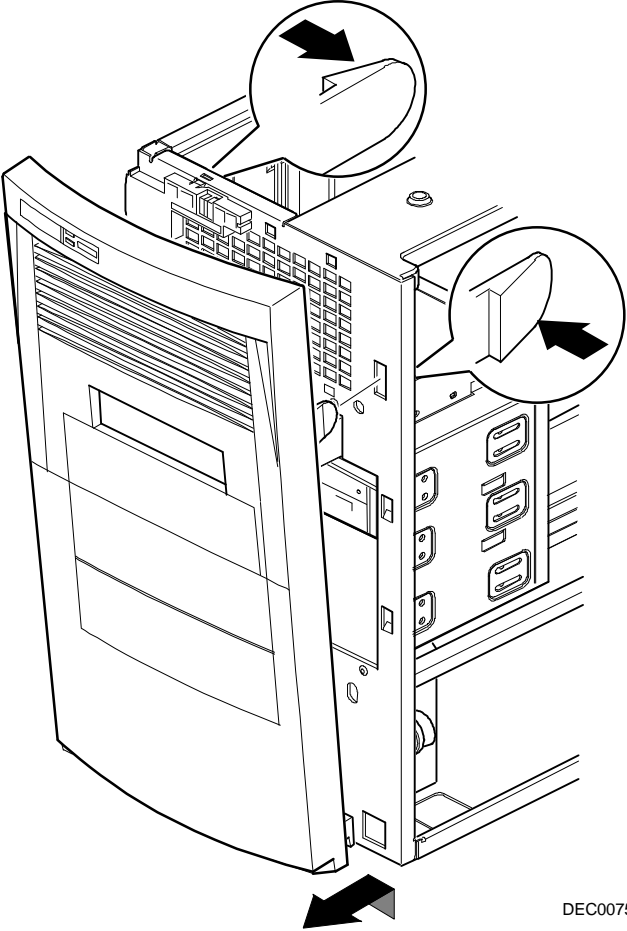
**NOTE:** After market hard disk drives should come with instructions, a manual, and an Installation Kit that should include mounting rails. Contact your “Peripheral Reseller” to determine if an Installation or Hard Disk Drive Mounting Kit is included with your hard disk drive.

## Removing the Front Bezel

To install mass storage devices into the front access drive bays you must first remove the front bezel. To remove the bezel:

1. Turn off your computer and monitor.
2. Disconnect all external devices, ac power, and monitor power.
3. Remove the outside cover.
4. From the top of the computer, looking down towards the bottom of the front of the chassis, you should see two tabs from the front bezel that hold the bezel in place and secure it to the chassis. Find both tabs (one on the left and one on the right).
5. By pushing on both of these tabs towards the center of the computer, you can release the top of the bezel.
6. Gently pull the top of the bezel approximately an inch away from the top of the chassis.
7. Gently but firmly, pull up on the bezel to detach the bottom bezel mounts.





DEC00758-11

Figure 6-1. Removing the Front Bezel

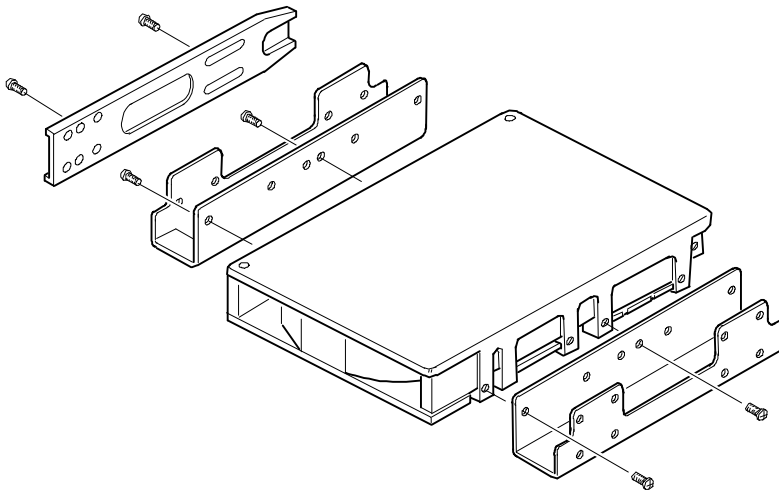
## Installing a 3½-Inch Device into a Front Device Bay

The following procedures describe how to install 3½-inch device into a front-access device bay.



**NOTE:** Refer to the manufacturer's instructions for your device to determine if switches or jumper settings need to be set or installed on the device. Set all switch and jumper settings accordingly.

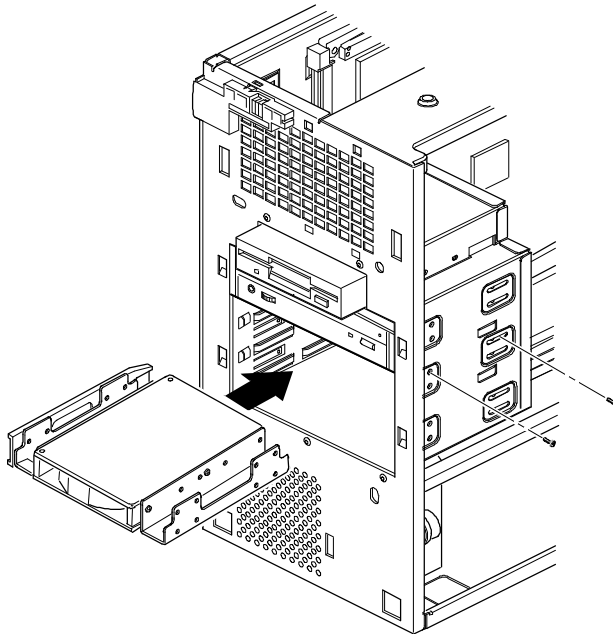
1. Turn off your computer and monitor.
2. Disconnect all external devices, ac power, and monitor power.
3. Remove the outside cover.
4. Remove the front bezel (see Figure 6-1).
5. Remove the EMI shield filler plate.
6. Install the brackets onto the 3½-inch device (see Figure 6-2).



DEC00723

**Figure 6-2. Installing Drive Rail and 3½-Inch Device Brackets**

7. Carefully slide the 3½-inch device into the device bay.  
Secure the device using the supplied mounting screws.
8. Connect the power and data cables to the 3½-inch device.  
*Refer to "Connecting Diskette and IDE Devices" later in this chapter.*



DEC00758-8

**Figure 6-3 Installing a 3½-Inch Device**

## Installing a 5¼-Inch Device Into a Front Device Bay

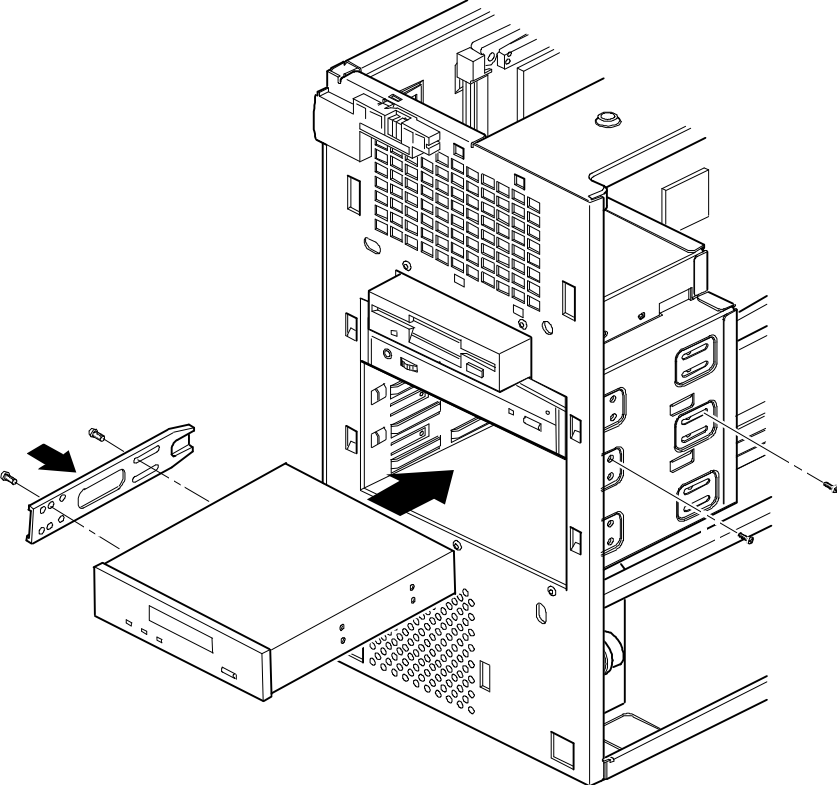
The following procedures describe how to install 5¼-inch device into a front-access device bay.



**NOTE:** Refer to the manufacturer's instructions for your device to determine if switches or jumper settings need to be set or installed on the device. Set all switch and jumper settings accordingly.

1. Turn off your computer and monitor.
2. Disconnect all external devices, ac power, and monitor power.
3. Remove the outside cover.
4. Remove the front bezel (see Figure 6-1).
5. If necessary, remove the filler panel from the front bezel.
6. Remove the EMI shield filler plate (if applicable).
7. Remove the drive rail from the inside of the chassis.
8. Using the supplied drive rail and mounting screws, install the 5¼-inch device into the appropriate device bay.
9. If necessary, replace the filler panel.
10. Connect the power and data cables to the 5¼-inch device.

*Refer to "Connecting Diskette and IDE Devices" later in this chapter.*



DEC00758-9

**Figure 6-4. Installing 5¼-Inch Device**

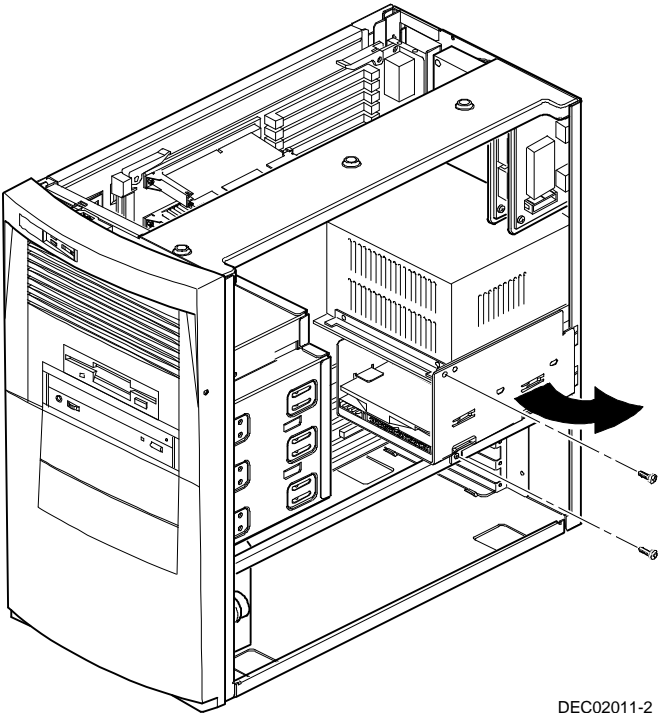
## Installing an Internal 3½-Inch Device

The following procedures describe how to install a low profile, 1-inch high, 3½-inch mass storage device into the internal device bay.



**NOTE:** Refer to the manufacturer's instructions for your mass storage device to determine if switches or jumper settings need to be set or installed on the device. Set all switch or jumper settings accordingly.

1. Turn off your computer and monitor.
2. Disconnect all external devices, ac power, and monitor power.
3. Remove the outside cover.
4. Disconnect the data and power cables from the installed hard disk drive.  
*Refer to "Connecting Diskette and IDE Devices" later in this chapter.*
5. Remove the two screws securing the device bay to the chassis.
6. Swing the device bay away from the chassis to gain access to the upper bay.

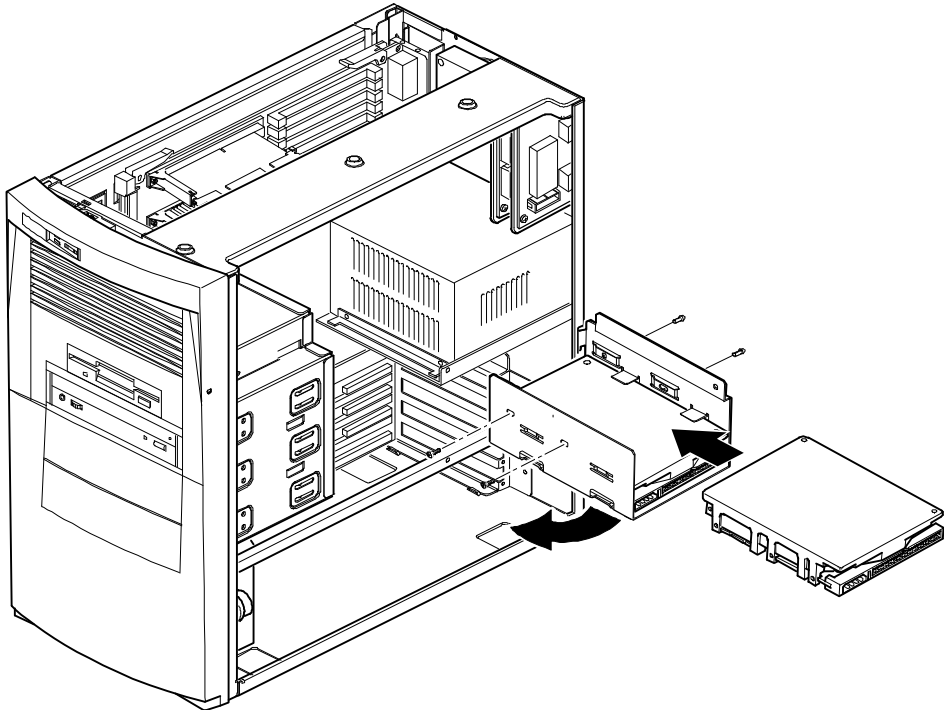


DEC02011-2

**Figure 6-5. Accessing the Internal 3 1/2-Inch Device Bay**

## Adding Mass Storage Devices

7. Attach the 3½-inch device to the internal 3½-inch device bay.  
Secure the device using the supplied mounting screws.



DEC02011-3

### Figure 6-6. Attaching a 3½-Inch Device to the Internal 3½-inch Device Bay

8. Secure the internal 3½-inch device bay to the chassis using the screw removed in step 5.
9. Connect the power and data cables.

*Refer to "Connecting Diskette and IDE Devices" later in this chapter.*



## Connecting Diskette and IDE Devices

To connect a diskette or IDE device, perform the following:

1. Connect the supplied ribbon cable to the device as shown in Figure 6-7 and 6-8.



**NOTE:** If only one IDE device is installed, make sure you use the ribbon cable connector furthest from the backplane connector.

Make sure the cable is connected with the correct orientation. Most cables and connectors are keyed so you cannot connect them backwards. If your cable or device is not keyed, you must connect pin 1 of the cable to pin 1 of the device's connector.

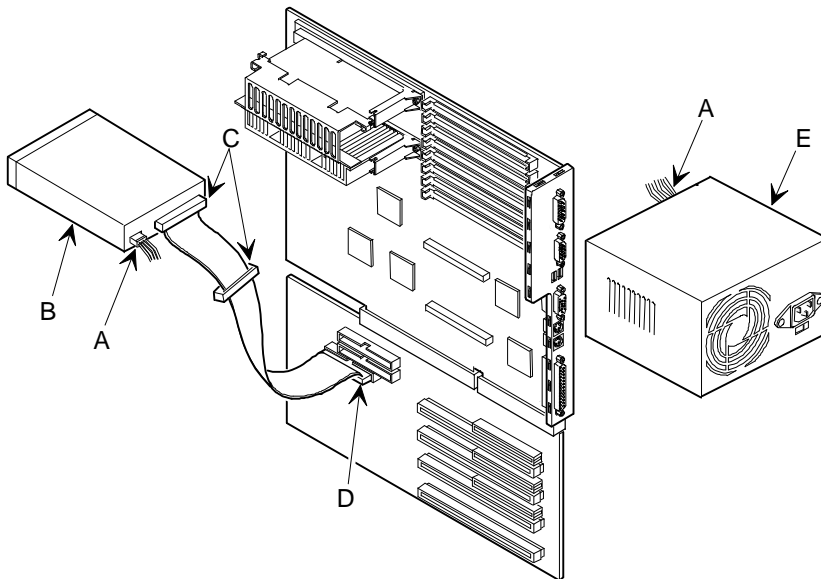
Pin 1 of the cable is on edge with the colored stripe. Pin 1 of the device's connector should be marked with a number or symbol at one end of the connector or with a number or symbol printed on the circuit board near one end of connector. If necessary, refer to the device's documentation for pin 1 orientation.

2. Connect a power cable to device.
3. Replace the outside cover.
4. Connect all external devices and restore power.
5. Run the BIOS Setup utility to configure your computer.

*Refer to Chapter 2, "Using the BIOS Setup Utility."*

## Adding Mass Storage Devices

| Figure Legend | Diskette Drive Component            |
|---------------|-------------------------------------|
| A             | Power connection                    |
| B             | Diskette drive                      |
| C             | Diskette drive connections          |
| D             | Backplane diskette drive connection |
| E             | Power supply                        |

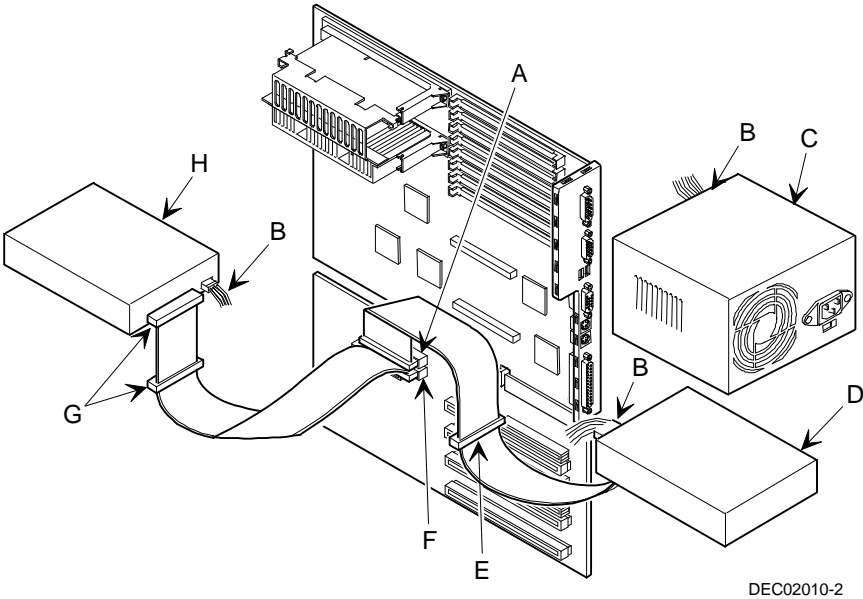


DEC02010-3

**Figure 6-7. Diskette Device Data Cable Connections**

| Figure Legend    | IDE Drive Component                        |
|------------------|--|
| A                | Backplane IDE drive connection (primary)   |
| B                | Power connections                          |
| C                | Power supply                               |
| D                | Primary IDE hard disk drive                |
| E                | Primary IDE hard disk drive connections    |
| F                | Backplane IDE drive connection (secondary) |
| G                | Secondary IDE hard disk drive connections  |
| H <sup>(1)</sup> | CD-ROM drive (not available on all models) |

<sup>(1)</sup> The CD-ROM drive is connected to the secondary IDE port and configured as a master drive.



DEC02010-2

**Figure 6-8. IDE Device Data Cable Connections**

## Adding SCSI Devices

Some computer models might be equipped with a SCSI adapter installed in one of the PCI local bus expansion slots. Refer to the supplied SCSI adapter documentation for product specific information. In most cases, your computer has been supplied with the appropriate SCSI ribbon cable. Contact your Digital sales representative for ordering information should you need additional cabling and SCSI devices.

Your computer configuration, SCSI adapter, and all SCSI devices must work together for optimum performance. Use the following guidelines to configure your computer and all SCSI devices.

- Fast and wide SCSI supports up to 16 devices.
- Each SCSI device attached to the host adapter (including the SCSI adapter) must have a unique SCSI ID. SCSI adapters usually default to SCSI ID 7. Use SCSI ID 0 through 6 (narrow devices) and 0 through 15 (wide and ultra-wide devices) for the remaining SCSI devices. Hard disk drives should be configured to start with SCSI ID 0 and the lower ID numbers.
- Narrow devices on a wide cable count as two SCSI IDs. For example, if the narrow CD-ROM drive is SCSI ID 4, then SCSI ID 12 is no longer available. The narrow CD-ROM device counts as two devices on a 16-bit wide data path.
- SCSI device drivers are required to operate your SCSI devices. These device drivers have been factory installed for you.
- Both ends of the SCSI bus must be properly terminated. Your SCSI adapter comes with its SCSI terminators enabled. This properly terminates the SCSI adapter (the first device in the SCSI bus). The supplied SCSI ribbon cable is equipped with an active SCSI terminator installed at the end of the cable (the last device in the SCSI bus).
- If your computer boots from a disk drive other than SCSI, make sure all SCSI device drivers are installed on that disk drive. SCSI devices can be used with an IDE drive only if the IDE drive is configured as drive C.
- Make sure the proper BIOS Setup utility options are set for SCSI operation.

- Run the SCSI configuration utility to change host adapter settings to fit your specific configuration. You can start the SCSI configuration utility by pressing [Ctrl] + [A] when the BIOS banner appears during the boot process.

*Refer to the supplied Adaptec SCSI documentation for more information.*

To connect SCSI devices, perform the following:

1. Connect the supplied ribbon cable to the appropriate device(s) as shown in Figure 6-9.

Make sure the cable is connected with the correct orientation. Most cables and connectors are keyed so you cannot connect them backwards. If your cable or device is not keyed, you must connect pin 1 of the cable to pin 1 of the device's connector.

Pin 1 of the cable is on edge with the colored stripe. Pin 1 of the device's connector should be marked with an arrow at one end of the connector. If necessary, refer to the device's documentation for pin 1 orientation.

2. Connect a power cable to device.
3. Replace the outside cover.
4. Connect all external devices and restore power.
5. If you want to fine tune some SCSI settings, you can use the SCSI configuration utility to configure your computer by pressing [Ctrl] + [A] when the BIOS banner appears during the boot process.

*Refer to the supplied Adaptec SCSI documentation for more information.*

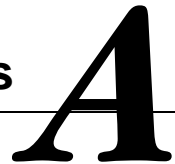
## Adding Mass Storage Devices

| <b>Figure Legend</b> | <b>Component</b>                       |
|----------------------|--|
| A                    | SCSI hard disk drives                  |
| B                    | Power connection                       |
| C                    | Single-ended active terminator         |
| D                    | SCSI drive connectors                  |
| E                    | SCSI adapter connector (50-pin narrow) |
| F                    | External SCSI connector (68-pin wide)  |
| G                    | Power supply                           |
| H                    | SCSI adapter connector (68-pin wide)   |



# Technical Specifications

---



## Introduction

This appendix provides information about the technical characteristics of your computer.

- Computer specifications
- PCI and ISA expansion slots
- Power supply and input power
- Nominal current requirements
- Power supply and power cord requirements
- Main logic board jumpers and switches
- If you forget your password

## Computer Specifications

The following sections list your computer's performance, dimensions, and environmental specifications by model.



## Features

| Feature      | Specification  |
|--------------|--|
| L2 cache     | 512 KB integral to the Pentium® II processor   |
| Video memory | 2 MB WRAM upgradeable with a WRAM daughter card  |
| Chipset      | Intel 430TX PCI set (Triton TX)  |
| Network      | Factory shipped with 100Base-T standard that supports a data transfer rate of up to 100 Mb/s |
| Audio        | ESS single-chip controller with 16-bit stereo audio  |

## Performance Specifications

| Attributes               | Specification   |
|--------------------------|---|
| ISA clock                | 8.33 MHz  |
| PCI clock                | 33 MHz  |
| Data I/O                 |   |
| ISA                      | 8-bit and 16-bit  |
| PCI                      | 32-bit  |
| Main logic board<br>DRAM | 72-pin, EDO memory: 32 MB standard,<br>expandable up to 256 MB, using 32 MB SIMMs<br><br>or<br><br>72-pin, ECC memory with fast-page parity:<br>32 MB standard, expandable up to 512 MB, using<br>64 MB SIMMs (fast-page parity with memory bus<br>width) |
| Computer BIOS            | 2 MB Flash ROM  |
| Video BIOS               | 32 KB included in the second 1 MB Flash ROM   |

## Computer Dimensions

| Dimension | Specification       |
|-----------|---------------------|
| Width     | 215.9 mm (8.5 in.)  |
| Depth     | 444.5 mm (17.5 in.) |
| Height    | 406.4 mm (16.0 in.) |
| Weight    | 15.2 kg (33.6 lb)   |

## Shipping/Packaging Dimensions

| Dimension | Specification         |
|-----------|-----------------------|
| Width     | 535.94 mm (21.1 in.)  |
| Depth     | 628.65 mm (24.75 in.) |
| Height    | 419.1 mm (16.5 in.)   |
| Weight    | 21.76 kg (48 lb)      |

## Environmental Specifications

| Attributes                            | Specification  |
|---------------------------------------|--|
| Operating temperature                 | 10 °C to 40 °C (50 °F to 104 °F)                                 |
| Storage temperature                   | −40 °C to 66 °C (−40 °F to 150.8 °F)                             |
| Operating humidity<br>(noncondensing) | 20% to 80% relative humidity,<br>maximum wet bulb 40 °C (104 °F) |
| Storage humidity<br>(noncondensing)   | 10% to 95% relative humidity,<br>maximum wet bulb 65 °C (149 °F) |
| Altitude                              |  |
| Operating                             | 2,000 m (6,562 ft) maximum                                       |
| Nonoperating                          | 3,600 m (12,000 ft) maximum                                      |
| Shipping vibration                    | IAW Federal Standard 101, method 5019                            |
| Nonoperating shock                    | 30 G, 25 ms halfsine   |

## ISA Expansion Slots

The maximum available +5 V dc current allowable to any ISA expansion slot depends upon the following parameters:

- Power supply capacity
- The +5 V dc requirements of the main logic board
- The +5 V dc requirements of the peripherals
- The power demands of all other slots in use

## PCI Local Bus Expansion Slots

Your computer's backplane contains three PCI local bus expansion slots. These slots support:

- Universal 3.3 V dc and 5 V dc PCI expansion boards
- Standard power PCI expansion slots (up to 25 watts)
- Bus mastering

## System Input Power Requirements

| Rated Voltage Range | Maximum Range       | Rated Input Current @ 200 W | Operating Frequency Range |
|---------------------|---------------------|-----------------------------|---------------------------|
| 100 V ac - 120 V ac | 88 V ac - 135 V ac  | 2.5 A                       | 47 Hz - 63 Hz             |
| 220 V ac - 240 V ac | 176 V ac - 265 V ac | 1.3 A                       | 47 Hz - 63 Hz             |

| Rated Voltage Range | Maximum Range       | Rated Input Current @ 300 W | Operating Frequency Range |
|---------------------|---------------------|-----------------------------|---------------------------|
| 100 V ac - 120 V ac | 88 V ac - 135 V ac  | 4 A                         | 47 Hz - 63 Hz             |
| 220 V ac - 240 V ac | 176 V ac - 265 V ac | 2 A                         | 47 Hz - 63 Hz             |

## Power Supply Requirements

Your computer's power supply provides six dc voltages: +12 V dc, -12 V dc, +5 V dc, -5 V dc, 5 VSB, and +3.3 V dc. These voltages are used by the various components within the computer.

## Current Requirements

Your computer's power supply provides the following maximum current requirements:

Total power 200 W maximum

- +3.3 V            0 A min, 14 A max.
- +5 V             2.0 A min, 22 A max.
- +12 V            0 A min, 6 A max.
- -5 V             0 A min, 0.5 A max.
- -12 V            0 A min, 0.5 A max.
- 5 VSB            0 A min, 0.5 A max.

Total power 300 W maximum

- +3.3 V            0 A min, 33 A max.
- +5 V             2.0 A min, 40 A max.
- +12 V            0 A min, 12 A max.
- -5 V             0 A min, 0.3 A max.
- -12 V            0 A min, 0.5 A max.
- 5 VSB            0 A min, 0.1 A max.

## Power Cord Requirements



**WARNING:** Do not attempt to modify or use an external 100 V ac (Japan only) or 115 V ac power cord for 220-240 V ac input power. Modifying either power cord can cause personal injury and severe equipment damage.

The power cord used with this computer must meet the following criteria:

- UL and CSA Certified cordage rated for use at 250 V ac with a current rating that is at least 125% of the current rating of the product. In Europe, the cordage must have the <HAR> mark.
- The ac plug is terminated in a grounding-type male plug designed for use in the region. It must also have marks showing certification by an agency acceptable in the region.
- The connector at the computer end is an IEC type CEE-22 female connector.
- The maximum length is 4.5 meters (14.5 feet).

## Main Logic Board Jumper and Switch Settings



**STATIC SENSITIVE:** Static electricity collects on non-conductors such as paper, cloth, or plastic. A static discharge can be damaging even though you often cannot see or feel it. To prevent damage to the main logic board:

- Touch the metal frame of your computer to discharge any static electricity.
- Keep the main logic board away from non-conductors.

The jumper and switch settings located on the main logic board can be set to control many features in your computer. Use the following tables and figure to locate the jumper and switch settings on the main logic board and then modify the settings for desired results.

| Feature        | Function               | Setting                   | Description   |
|----------------|------------------------|---------------------------|---|
| Bus clock      | 66 MHz                 | SW1-1, ON <sup>(1)</sup>  | Determines the processor and PCI clock speed for the installed processor. This switch must be set along with the SW1-7 and SW1-8 CPU Core/Bus Ratio switches. Refer to the Processor Clock Speed Switch Settings table.                             |
|                | 60 MHz                 | SW1-1, OFF                |   |
| Password clear | Clear                  | SW1-5, ON                 | If you forget your password, set this switch to ON and then restart the computer.   |
|                | Normal <sup>(1)</sup>  | SW1-5, OFF <sup>(1)</sup> |   |
| Recovery mode  | Recovery               | SW1-6, ON                 | If your flash BIOS upgrade failed, set this switch to ON so you can boot your computer from a Crisis Recovery diskette. Refer to the README.TXT provided with the flash BIOS upgrade.   |
|                | Normal <sup>(1)</sup>  | SW1-6, OFF <sup>(1)</sup> |   |
| Clear CMOS     | Enable                 | SW1-7, ON                 | Clears CMOS of all BIOS setup information. Use the Enable setting when your computer will not boot, and BIOS setup cannot be accessed due to configuration data corruption. This switch must be set back to Disable before rebooting your computer. |
|                | Disable <sup>(1)</sup> | SW1-7, OFF <sup>(1)</sup> |   |

(1) Factory default setting  
OFF = Up; ON = down

*continued*

## Technical Specifications

| Feature                  | Function | Setting   | Description  |
|--------------------------|----------|---|--|
| Bus/core frequency ratio |          | SW1-2, OFF<br>SW1-3, OFF<br>SW1-4, ON<br>SW1-8, ON  | Sets processor clock speed x 3.5   |
|                          |          | SW1-2, ON<br>SW1-3, ON<br>SW1-4, OFF<br>SW1-8, ON   | Sets processor clock speed x 4   |
|                          |          | SW1-2, OFF<br>SW1-3, ON<br>SW1-4, OFF<br>SW1-8, ON  | Sets processor clock speed x 4.5   |
|                          |          | SW1-2, ON<br>SW1-3, OFF<br>SW1-4, OFF<br>SW1-8, ON  | Sets processor clock speed x 5   |
|                          |          | SW1-2, OFF<br>SW1-3, OFF<br>SW1-4, OFF<br>SW1-8, ON | Sets processor clock speed x 5.5   |
|                          |          |   | Must be set with SW1-1 processor/bus clock speed switch to match CPU clock speed. For example, 66 MHz x 3 = 200 MHz processor. Refer to the Processor Clock Speed Switch Settings table. |

(1) Factory default setting  
OFF = Up; ON = down

*continued*

| Feature                  | Function                | Setting  | Description   |
|--------------------------|-------------------------|--|---|
| Bus/core frequency ratio |                         | SW1-2, ON<br>SW1-3, ON<br>SW1-4, ON<br>SW1-8, OFF  | Sets processor clock speed x 6  |
|                          |                         | SW1-2, OFF<br>SW1-3, ON<br>SW1-4, ON<br>SW1-8, OFF   | Sets processor clock speed x 6.5  |
|                          |                         | SW1-2, ON<br>SW1-3, OFF<br>SW1-4, ON<br>SW1-8, OFF   | Sets processor clock speed x 7  |
|                          |                         | SW1-2, OFF<br>SW1-3, OFF<br>SW1-4, ON<br>SW1-8, OFF  | Sets processor clock speed x 7.5  |
|                          |                         | SW1-2, ON<br>SW1-3, ON<br>SW1-4, OFF<br>SW1-8, OFF   | Sets processor clock speed x 8  |
|                          |                         | Must be set with SW1-1 processor/bus clock speed switch to match CPU clock speed. For example, 66 MHz x 3 = 200 MHz processor. Refer to the Processor Clock Speed Switch Settings table. |   |
| Boot block               | Disabled <sup>(1)</sup> | J27, pins 1 and 2 <sup>(1)</sup>   | When disabled, prevents corruption or reprogramming of BIOS boot block data. Updating the BIOS boot block data is normally reserved for factory use only, unless instructed otherwise by your Service provider. |
|                          | Enabled                 | J27, pins 2 and 3  |   |

(1) Factory default setting  
OFF = Up; ON = down

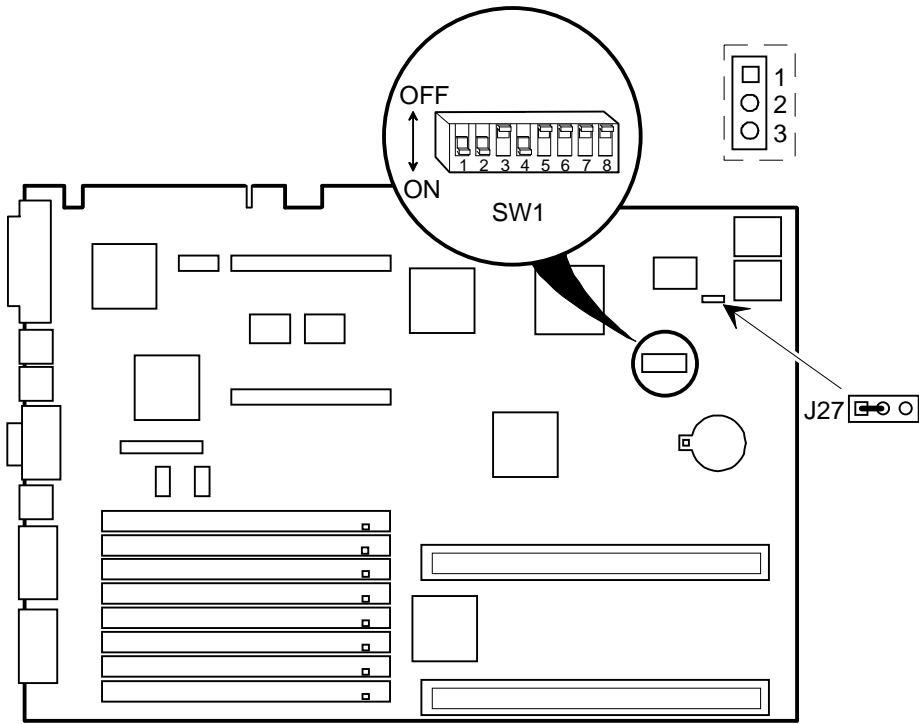


## Processor Clock Speed Switch Settings

The following table provides the switch settings for a number of available Pentium® II processors. The switches are set correctly for the processor that came with the computer you purchased. You only need to change the processor switch settings, that is SW1, should you upgrade to another processor.

| <b>Processor Speed</b> | <b>SW1-2</b> | <b>SW1-3</b> | <b>SW1-4</b> | <b>SW1-8</b> |
|------------------------|--------------|--------------|--------------|--------------|
| 233 MHz                | Off          | Off          | On           | On           |
| 266 MHz                | On           | On           | Off          | On           |
| 300 MHz <sup>(1)</sup> | Off          | On           | Off          | On           |
| 333 MHz <sup>(1)</sup> | On           | Off          | Off          | On           |
| 366 MHz <sup>(1)</sup> | Off          | Off          | Off          | On           |
| 400 MHz <sup>(1)</sup> | On           | On           | On           | Off          |

<sup>(1)</sup> The processor speeds indicated above are anticipated future processor products from Intel. This does not constitute a promise of the availability of such a processor, but should it be made available some time in the future, these are the needed switch settings to support such a processor.



DEC02008-6

**Figure A-1. Main Logic Board Switch Locations**

## If You Forget Your Password

Use the following procedure to erase a password from your computer.

1. Turn off your computer and remove the outside cover.
2. Change switch SW1-5 to enabled (switch on).
3. Turn on your computer.
4. Turn off your computer and remove the outside cover.
5. Change switch SW1-5 to disabled (switch off).
6. Reconnect your computer and turn it on.
7. Using the BIOS Setup utility, assign a new password.

*Refer to Chapter 2, "Using the BIOS Setup Utility," for more information.*

# Device Mapping *B*

---

## Introduction

This appendix provides a series of tables listing mapping and address information related to computer memory and various main logic board devices (keyboard controller, interrupt controller, DMA controller, etc.).

Your computer's memory and address locations are allocated at the factory to operate within a standard PC environment. However, due to the number of optional devices and/or expansion boards that are available, sometimes memory and address locations need to be changed. For example, some network expansion boards require a specific memory location. If that location is already allocated, a memory conflict results and the expansion board will not operate as expected. Note that some memory, I/O and interrupt locations can be changed using the BIOS Setup utility.

*Refer to Chapter 2, "Using the BIOS Setup Utility," for additional information.*



**CAUTION:** Before changing any memory or address location, refer to the documentation supplied with the optional device, expansion board, or software application and make sure adequate information is available. If not, contact the option or software manufacturer for further information.

## Full Range Processor Memory Address Map

| Range                | Function                         | Size   |
|----------------------|----------------------------------|--------|
| 0 to 9FFFFh          | Base memory                      | 640 KB |
| A0000h to BFFFFh     | Video RAM                        | 128 KB |
| C0000h to C7FFFh     | Video BIOS                       | 32 KB  |
| C8000h to DFFFFh     | BIOS extension ROM (AT bus used) | 96 KB  |
| E0000h to FFFFFh     | PnP BIOS/APM BIOS                | 128 KB |
| 100000h to 1FFFFFFFh | Extended memory                  | 511 MB |

## I/O Address Map

| Range (hexadecimal) | Function                     |
|---------------------|------------------------------|
| 000 - 00F           | DMA controller one           |
| 020 - 021           | Interrupt controller one     |
| 040 - 043           | Interval timer               |
| 060 - 06F           | Keyboard controller          |
| 070 - 07F           | Real-Time Clock (RTC), NMI   |
| 080 - 08F           | DMA page register            |
| 0A0 - 0A1           | Interrupt controller two     |
| 0C0 - 0CF           | DMA controller two           |
| 0F0                 | Clear math co-processor busy |
| 0F1                 | Reset math co-processor      |
| 0F8 - 0FF           | Math co-processor            |
| 170 - 177           | Secondary IDE controller     |
| 1F0 - 1F7           | Primary IDE controller       |
| 220 - 22F           | Audio                        |
| 278 - 27A           | LPT2                         |
| 2E8 - 2EF           | COM4                         |

*continued*

## Device Mapping

| <b>Range (hexadecimal)</b> | <b>Function</b>   |
|----------------------------|---|
| 2F8 - 2FF                  | COM2  |
| 378 - 37A                  | LPT1  |
| 378 - 37A                  | MIDI MPU  |
| 388 - 38B                  | Audio, FM music synthesizer                                   |
| 3BC - 3BE                  | LPT3  |
| 3E8 - 3EF                  | COM3  |
| 3F0 - 3F7                  | Diskette (floppy disk) controller                             |
| 3F6 - 3F7                  | Primary/secondary IDE controller (alt status, device address) |
| 3F8 - 3FF                  | COM1  |
| 4D0                        | Edge/level control register - INTCNTRL1                       |
| 4D1                        | Edge/level control register - INTCNTRL2                       |
| CF8 - CFF                  | PCI configure space control register                          |
| FF0H                       | Programming chip select                                       |
| 22 - 3F                    | Programming chip select                                       |

## Computer Interrupt Levels

| Interrupt Number | Interrupt Source                                   |
|------------------|--|
| IRQ0             | Timer tick   |
| IRQ1             | Keyboard controller                                |
| IRQ2             | Cascade interrupt                                  |
| IRQ3             | COM2, COM4, if enabled                             |
| IRQ4             | COM1, COM3, if enabled                             |
| IRQ5             | Audio  |
| IRQ6             | Diskette (floppy disk) drive, if enabled           |
| IRQ7             | LPT1, LPT3, if enabled                             |
| IRQ8             | Real Time Clock (RTC)                              |
| IRQ9             | Available  |
| IRQ10            | Available  |
| IRQ11            | Audio  |
| IRQ9             | (PCI device or reserved) default network           |
| IRQ10            | (PCI device or reserved) default VGA               |
| IRQ11            | (PCI device or reserved) default audio, if enabled |
| IRQ12            | Mouse interrupt, if enabled                        |
| IRQ13            | Math co-processor                                  |
| IRQ14            | IDE primary, if enabled                            |
| IRQ15            | IDE secondary, if enabled                          |

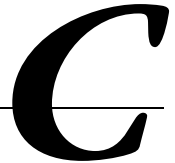


## DMA Channel Assignment

| Channel | Controller | Function                                      |
|---------|------------|---|
| 0       | 1          | Available                                     |
| 1       | 1          | Audio (if enabled)                            |
| 2       | 1          | Diskette (floppy disk) controller, if enabled |
| 3       | 1          | ECP   |
| 4       | 2          | Cascade DMA                                   |
| 5       | 2          | Audio   |
| 6       | 2          | Available                                     |
| 7       | 2          | Available                                     |

# Video Output Information

---



## Introduction

Your computer can be used with a variety of industry-standard VGA analog monitors. These computers also support several PCI local bus video adapters as well as many industry-standard ISA video adapters.



**CAUTION:** Your monitor's capabilities must match the capabilities of the onboard video controller or an optional video adapter if you select a video resolution higher than 640 x 480. Failure to match video capabilities can damage your monitor.

Also, do not connect a low-resolution monitor to a computer that has been configured with high-resolution video drivers. High-resolution drivers can damage a low-resolution monitor.



**NOTE:** Refer to your monitor's documentation and the following table to determine the maximum video resolution of your monitor and onboard video controller. If you are using an optional video adapter, refer to the documentation supplied with that adapter to determine the maximum video resolution.

## Video Resolution Modes

| Resolution  | Bits/Pixel<br>(2 MB) | Bits/Pixel<br>(4 MB) | Bits/Pixel<br>(8 MB) | Maximum<br>Refresh (Hz) |
|-------------|----------------------|----------------------|----------------------|-------------------------|
| 640 x 480   | 8                    | 8                    | 8                    | 120                     |
|             | 16                   | 16                   | 16                   | 120                     |
|             | 24                   | 24                   | 24                   | 120                     |
| 800 x 600   | 8                    | 8                    | 8                    | 120                     |
|             | 16                   | 16                   | 16                   | 120                     |
|             | 24                   | 24                   | 24                   | 120                     |
| 1024 x 768  | 8                    | 8                    | 8                    | 120                     |
|             | 16                   | 16                   | 16                   | 120                     |
|             |                      | 24                   | 24                   | 76                      |
| 1152 x 882  | 8                    | 8                    | 8                    | 100                     |
|             | 16                   | 16                   | 16                   | 100                     |
|             |                      | 24                   | 24                   | 76                      |
| 1280 x 1024 | 8                    | 8                    | 8                    | 90                      |
|             |                      | 16                   | 16                   | 90                      |
|             |                      | 24                   | 24                   | 76                      |



## **address**

A specific location or range of locations in your computer's memory or in a port (such as a parallel or serial port). Memory addresses specify the location of information, while I/O addresses specify the location of a port used by a particular component of your computer.

## **application**

A program or set of programs that operate in conjunction with an operating system, also called "application software." Categories of application software include word processors, databases, spreadsheets, and telecommunications software. Specific examples of application software include WordPerfect, Lotus 1-2-3, and Procomm Plus.

## **base memory**

Memory accessible to MS-DOS, up to a maximum of 640 KB; also called "conventional memory." See also expanded memory (EMS) and extended memory (XMS).

## **Basic Input/Output System (BIOS)**

Abbreviated as BIOS and pronounced "by-oss." The BIOS enables your computer to control major input/output devices such as the keyboard and disk drives.

## **batch file**

A defined series of commands saved in a file, which can then be executed as a unit in order to save time and/or keystrokes. MS-DOS batch files have the extension .BAT. Batch files created for other operating systems, such as Windows 95 or Windows NT Workstation, might have other extensions.

## Glossary

### **baud**

A unit of speed in data transmission, as one bit per second for binary signals. See also bits-per-second (bps).

### **bit**

The smallest unit of electronically stored information, represented by the binary digits 0 or 1. See also byte.

### **bits per second**

Abbreviated as bps. The number of binary digits transmitted by an electronic device (such as a modem) in one second. Also see baud and bit.

### **board**

A device containing electronic circuitry and microprocessors. Usually used in connection with a modifying word, as follows:

- main logic board - The primary electronic component of your computer
- expansion board - A board which enhances your computer's abilities in some way
- video board - A board which enables your computer to display information on a monitor

### **booting**

The process of self-testing and computer configuration that completes each time your computer is turned on (a "hard boot") or restarted (a "soft boot" or "reboot") by pressing the reset button or the [Ctrl]-[Alt]-[Del] key combination. This might include a memory test, loading of device drivers via CONFIG.SYS, and execution of the AUTOEXEC.BAT file.

**byte**

The amount of storage space used to represent one character (such as a letter or number). One byte contains eight bits. The following table describes other commonly-used units of electronic storage space. These units are typically used to describe amounts of available memory.

|               |                     |
|---------------|---------------------|
| Kilobit (Kb)  | 1,024 bits          |
| Kilobyte (KB) | 1,024 bytes         |
| Megabit (Mb)  | 1,048,576 bits      |
| Megabyte (MB) | 1,048,576 bytes     |
| Gigabyte (GB) | 1,073,741,824 bytes |

**cache memory**

A block of reserved memory that improves computer performance by minimizing the number of processor memory accesses. The computer achieves this by storing recently used data or instructions in reserved memory, where it can be retrieved more quickly.

**CD-ROM**

Compact Disk-Read Only Memory. The CD-ROM drive and CD-ROM disk comprise an integral part of a multimedia computer system. The disk stores a very large amount of audio, video, graphic and/or encyclopedic information that is read by the drive for use in a computer application. Because the disk is read only, you cannot write to the disk from your computer's hard drive, floppy drive, or from your computer's memory.

## **ClientWORKS**

ClientWORKS is the family of client management and networking tools that Digital supports on its entire line of desktop personal computers. The Client Management feature provides computer users with an easy method to keep track of their components. See Desktop Management Interface.

## **CMOS**

A type of memory that uses very little power. CMOS memory is often used to store information such as the time and date for your computer's internal clock.

## **cursor**

A line, block, or other indicator on your monitor screen. The cursor identifies the point at which typed characters or other information will appear on the screen. Note that while a mouse or other pointing device can often be used to move the cursor, the mouse-pointer and a normal cursor might appear in different places on your screen.

## **DDC**

Display Data Channel - a feature that queries the monitor to identify itself to the computer which then chooses the optimal refresh rate for the monitor.

## **Desktop Management Interface (DMI)**

DMI is a component of ClientWORKS and provides an enhanced and powerful set of utilities and software to help network administrators keep track of the installed hardware and software, either locally or on a network. See ClientWORKS.

## **device driver**

A file that gives your computer specific information on operating a particular physical device (such as a CD-ROM drive or a mouse) or application software (such as a memory manager). Device drivers are usually loaded into memory each time your computer boots if they are listed in your CONFIG.SYS file.

## **Direct Memory Access (DMA)**

DMA displays or delivers information from your computer's memory without making use of the processor. Devices with DMA capability (for example, many sound cards) must be properly configured in order for your computer to recognize and make use of this ability.

## **DPMS**

1. **Display Power Management Signaling.** Technology that enables video controller circuitry to control the operating condition of a monitor, thereby decreasing the monitor's energy consumption.
2. **DOS Protected Mode Services.** A way for a software application to access extended memory, often by use of a specialized device driver. Examples of software that uses DPMS include certain versions of Stacker and PKZip.

## **EDO**

See Extended Data Out.

## **Enhanced Parallel Port (EPP)**

An option available in your computer's BIOS which affects the way a printer attached to your parallel port communicates with your computer. If your printer supports this standard, enabling the EPP option will allow faster printing. This specification also provides a parallel port with the expansion bus ability to support up to 64 external devices, such as: disk drives, tape drives, CD-ROM drives, and other mass-storage devices.

## **expanded memory (EMS)**

Memory beyond 640 KB that can only be accessed by use of expanded memory manager software. Expanded memory can be provided by installing an expanded memory expansion board, or by using software that enables extended memory to simulate expanded memory. Some application software requires expanded memory in order to operate correctly.



### **Extended Capabilities Port (ECP)**

An option available in your computer's BIOS which affects the way a printer attached to your parallel port communicates with your computer. If your printer supports this standard, enabling the ECP option will allow faster printing.

### **Extended Data Out (EDO)**

A DRAM feature that allows for fast, main memory access timing. EDO memory is faster than Fast Page memory (which was the former industry standard) and is available in 4, 8, 16, and 32-bit SIMMs.

### **extended memory (XMS)**

Memory beyond 1 MB that can only be accessed by use of extended memory manager software (such as HIMEM.SYS, included with MS-DOS and Windows). Some application software, including Windows and Windows-based software, requires extended memory in order to operate correctly. Extended memory can be added to your computer, within specified limits, by installing SIMMs.

### **fast ethernet**

Fast Ethernet is a new technology that can be integrated into current 10Base-T Local Area Networks (LANs) and allow them to scale easily to 100 Mb/s. Fast Ethernet provides higher bandwidth without a major change in infrastructure.

### **firmware**

Information that is permanently stored in your computer's ROM and cannot be changed. This might consist of application software and/or configuration information about certain aspects of the computer. Your computer's BIOS (see Basic Input/Output System) is an example of firmware.

### **graphical user interface**

Abbreviated as GUI. The visual "desktop" image generated by software such as Windows, that allows you to operate your computer by using a mouse or other pointing device to manipulate icons that might represent application software, files containing data, and/or operating system commands. An alternative to a command line.

## **hardware**

Computers, printers, modems and other physical devices for managing electronically stored information.

## **icon**

A symbol or picture on your monitor screen that represents a file, a software application, an operating system command, or some other form of stored information. Groups of icons might sometimes be referred to as button bars or toolbars.

## **interrupt**

An event, condition, or instruction which causes your computer to temporarily stop performing a task, but does so in a way that permits the task to be resumed and completed later. For example, not using your keyboard or mouse for several minutes might cause a screen saver program to interrupt another software application. Interrupts also occur within your computer's memory that cannot be easily detected by users.

## **IRQ**

A hardware setting which instructs your computer how to allocate memory resources between various components of the system. For example, serial ports COM1 and COM3 are often assigned to the same IRQ setting. If IRQ settings are not properly allocated to the various components of your computer (such as expansion boards), your computer might not be able to operate all of the affected components.

An IRQ setting on a given component establishes an interrupt condition for that component.

## **jumper**

Jumper pins allow you to set specific computer parameters. They are set by changing the pin location of jumper blocks. A jumper block is a small, plastic-encased conductor (shorting plug) that slips over the pins. To change a jumper setting (make sure that your computer is turned OFF), remove the jumper from its current location with your fingers. Position the jumper over the two pins designated for the desired setting. Press the jumper evenly onto the pins; being careful not to bend the pins.

## **Kbyte**

A Kilobyte (Kbyte, KB) is a unit, usually of computer storage space, equal to 1,024 bytes. Also see byte and bit.

## **legacy**

A legacy expansion board is any ISA board that does not comply with the new Plug and Play ISA Board Specification. Legacy ISA boards must be configured using the ISA Configuration Utility (ICU).

## **LPB**

Live Play Back. This is a feature of some multimedia video playback, video adapters that allows fast-frame digital video. Also see JPEG and MPEG.

## **mapping**

The process of identifying specific addresses and locations within your computer's memory, and describing what kinds of information might be found at those locations. Sometimes referred to as device mapping or memory mapping.

## **media**

Physical objects or devices used for storing information. These might include floppy disks, hard disk drives, CD-ROM disks, and PCMCIA cards.

## **memory**

The electronic space in which information can be stored and/or processed. Types of memory include Random Access Memory (RAM), Read-Only Memory (ROM), expanded memory (EMS) and extended memory (XMS).

**memory-resident**

A condition in which software remains loaded in your computer's memory but does not operate until and unless it is activated by the user or by another software application. For example, a virus-detection program might be memory-resident.

**MPEG**

Motion Picture Experts Group, pronounced "em-peg." This group of motion picture professionals established the standards for the display of animated or motion pictures on your computer. This multimedia video playback standard allows digital video compression using JPEG image compression and other encoding for video sequences.

**microprocessor**

A computer chip that processes electronic information and instructions, such as Intel's Pentium or Pentium Pro computer chips. Note, however, that not all microprocessors are central processing units.

**modem**

A device for transmitting electronic information from one computer to another at high speeds over telephone lines.

**multimedia**

A form of electronic information that combines pictures, sounds, and text in an integrated manner. CD-ROM hardware and software is usually required to make use of information stored in the form of multimedia.

**onboard video**

Video controller circuitry that is incorporated into a computer's main logic board, so that you do not need a separate video adapter to display information on a monitor.

## **operating system**

The software that tells your computer how to manage and process electronically stored information, enables it to run application software, and controls the flow of information between various parts of your computer system. Windows 95 and Windows NT Workstation, OS/2, and UNIX are operating systems.

## **PCI**

Peripheral Component Interconnect - provides fast, 32-bit, I/O data transfer.

## **Pel - Picture Element, also known as Pixel**

The smallest graphic unit that can be displayed on the screen of your monitor. This unit is usually a single-colored dot; the size of the dot is determined by the dot pitch of your monitor (typically .25 mm to .42 mm).

## **port**

The physical connection between your computer and a peripheral device, such as a printer, mouse, or SCSI device.

Parallel ports, also called LPT ports, are typically used to connect your computer to a printer. Serial ports, also called COM ports, can be used to connect your computer to a variety of devices, including a mouse, a modem, and some printers. Other types of ports can include keyboard ports, mouse ports, and SCSI ports. See EPP.

## **Power-On Self Test (POST)**

A series of diagnostic tests performed by your computer every time it is turned on (but not necessarily every time it is booted).

## **quiet boot**

Inhibits the display of POST messages. Quiet boot, when enabled, displays the Digital logo, instead of POST messages.

## **Random Access Memory (RAM)**

Abbreviated as RAM; also called read/write memory. The memory your computer uses to manage information and software while that information and software is in use. Information stored only in RAM is lost when your computer is turned off.

**Read-Only Memory (ROM)**

Abbreviated as ROM. Information or software stored in ROM is permanent, cannot be altered, and remains intact when your computer is turned off. Note that you cannot move or copy information into ROM from other areas of your computer's memory. In some cases, however, you can copy information from ROM into other areas of your computer's memory.

**ROM BIOS**

See Basic Input/Output System and Read-Only Memory. ROM BIOS software enables your computer to control major input/output devices such as the keyboard and disk drives.

**SCSI device**

Hardware that communicates with your computer via a specific data-transmission technology (Small Computer System Interface). Devices that use the SCSI interface include CD-ROM drives and some hard disk drives.

**SIMM**

A Single In-line Memory Module. SIMMs are small memory cards (sometimes called "sticks") that can be used to increase the amount of random access memory (RAM) in your computer.

**software**

A program or set of programs that operate in conjunction with an operating system, also called "application software." Categories of application software include word processors, databases, spreadsheets, and telecommunications software. Specific examples of application software include Word for Windows, MS Excel, and Procomm Plus.

**system utilities**

Software designed to increase your computer's efficiency, determine whether it is operating properly, and/or correct problems that might arise as you use your computer. Some system utility software might be provided with your computer (such as a Setup program). Other utility software is available from various commercial and non-commercial sources. Examples of utility software include Stacker, PKZip, and Norton Utilities.

### **upper memory**

The area of memory between base memory (640 KB) and 1 MB. When properly configured, Windows 95 or Windows NT Workstation can load device drivers, and memory-resident software into upper memory. While the upper memory area can be configured as expanded memory, expanded memory is not limited to the upper memory area.

### **Universal Serial Bus (USB)**

The USB is a new industry standard bi-directional bus designed to work with the PC architecture for connecting slow and medium speed (12 Mb/s) external peripherals to computer systems in a dynamically attachable, consistent, structured and low-cost manner. USB has capabilities similar to today's PC external peripheral connections (serial ports, parallel ports, keyboard and mouse ports), but extends them in several significant ways.

### **video adapter**

Also called a video controller or video board. A board that enables your computer to display information on a monitor screen.

### **video controller**

The electronic circuitry which enables your computer to display information on a monitor screen. This might be provided on a video adapter or on the main logic board. In the latter case, it is referred to as onboard video.

### **Windows**

Software that provides a graphical user interface for use in operating your computer.

# Index

- 3½-inch mass storage devices
  - installing
    - front device bay, 6-4
- 3½-inch mass storage devices (front bay)
  - installing, 6-6
- 3½-inch mass storage devices (internal drive bay)
  - installing, 6-10
- 5¼-inch mass storage devices
  - installing, 6-8

## A

---

- assignment
  - DMA channel, B-6
- audio/MIDI/joystick connectors, 3-12

## B

---

- BIOS setup utility, 2-1
  - accessing, 2-2
  - changing boot sequence, 2-12
  - changing time and date, 2-4
  - configuring diskette drives, 2-10
  - configuring hard disk drives, 2-11
  - eliminating passwords, 2-6
  - enabling password on boot, 2-6
  - executing, 2-2

- helpful hints, 2-2
- maneuvering through, 2-4
- other security options, 2-7
- resetting keyboard features, 2-14
- setting passwords, 2-4
- setting power management options, 2-9
- setting volume control, 2-15
- speed up boot, 2-12
- virus protection, 2-7

## C

---

- Celebris GL-2
  - computer components, 3-2
  - network adapter card connectors, 3-10
- Celebris GL-2 components
  - main logic board, 3-4
- Celebris GL-2 connectors
  - rear panel, 3-6
  - main logic board, 3-7
- Celebris GL-2 main logic board
  - removing, 3-14
- Celebris GL-2
  - backplane components/connectors, 3-8
- Celebris GL-2
  - 3½-inch mass storage devices (front bay)
    - installing, 6-6



## Index

- diskette and IDE devices
  - connecting, 6-13
- installing mass storage devices, 6-3
- replacing computer battery, 3-16
- SCSI devices
  - connecting, 6-16
- SCSI guidelines, 6-16
- Celebris GL-2 audio/MIDI/joystick adapter card
  - connectors, 3-12
- Celebris GL-2 battery
  - replacing, 3-16
- Celebris GL-2 computer
  - inside components, 3-2
- components
  - inside Celebris GL-2, 3-2
- components/connectors
  - Celebris GL-2, 3-8
- computer
  - CPU features, A-1
  - disconnecting external devices, 1-6
  - video output information, C-1
- connecting a microphone, 1-15
- connecting a MIDI/joystick device, 1-16
- connecting a printer, 1-18
- connecting a USB device, 1-20
- connecting headphones, 1-14
- connecting speakers, 1-12
- current limitation
  - expansion slots, A-4
  - PCI-bus (local bus) expansion slots, A-4
- current requirements, A-5

## D

---

- DIMM
  - installing, 4-8
- diskette and IDE devices
  - connecting, 6-13
- display information, C-1
- DMA channel assignment, B-6

IN-2

## E

---

- ergonomics
  - providing a comfortable working environment, 1-23
- executing the BIOS Setup utility, 2-2
- expansion boards
  - installing, 5-4
- expansion slots
  - maximum current limitation, A-4
  - workstation, 5-1
- external devices
  - disconnecting, 1-6

## F

---

- flash.exe utility, 2-16
- forgetting your password, A-12

## H

---

- headphones
  - connecting, 1-14

## I

---

- I/O Address Map, B-3
- installing
  - additional computer memory, 4-2
  - installing expansion boards, 5-4
  - installing mass storage devices, 6-3
- interrupt levels, B-5
- IRQs, B-5

**J**

---

jumper and switch settings  
main logic board, A-7

**K**

---

keyboard  
using, 1-22

**M**

---

main logic board  
jumper and switch settings, A-7  
maneuvering through BIOS Setup utility, 2-4  
mapping  
memory, B-2  
memory  
mapping, B-2  
memory configurations  
EDO, 4-5  
fast-page parity, 4-7  
memory mapping, B-2  
microphone  
connecting, 1-15  
MIDI/joystick device  
connecting, 1-16  
monitor resolution information, C-1

**N**

---

network adapter card connectors, 3-10

**P**

---

password  
if your forget, A-12

PCI-bus (local bus) expansion slots  
maximum current limitation, A-4  
power  
system input, A-4  
power cord requirements, A-6  
power supply  
current requirements, A-5  
requirements, A-5  
power supply requirements, A-5  
printer  
connecting, 1-18  
processor  
switch settings, A-10

**R**

---

removing the main logic board, 3-14

**S**

---

SCSI devices  
connecting, 6-16  
SCSI guidelines, 6-16  
speakers  
connecting, 1-12  
specifications, A-1  
computer, A-1  
computer performance, A-1  
dimensions, A-3  
environmental, A-3  
shipping/packaging, A-3  
switch settings  
processor, A-10  
system input power, A-4

## U

---

USB device  
    connecting, 1-20  
using a Windows enhanced keyboard, 1-22  
utilities  
    flash.exe, 2-16

## V

---

video output information  
    computer, C-1